



# Assembly Instructions

## SECTIONAL POLE TENTS

30'x40' / 40'x40'

30'x60' / 40'x60'

30'x80' / 40'x80'

30'x100' / 40'x100'

### STEP 1. CHECK ITEM LIST



Center Poles (tent size/**quantity**)

30x40 (1) / 30x60 (x2) / 30x80 (x3) / 30x100 (x4)  
40x40 (1) / 40x60 (x2) / 40x80 (x3) / 40x100 (x4)



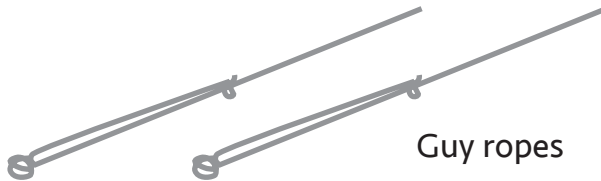
Side Poles (tent size/**quantity**)

30x40 (14) / 30x60 (18) / 30x80 (22) / 30x100 (x26)  
40x40 (16) / 40x60 (20) / 40x80 (24) / 40x100 (x28)

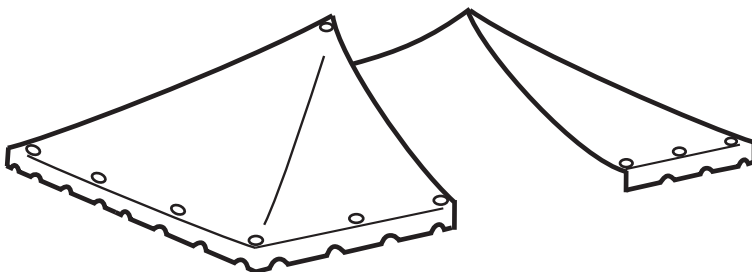


Stakes (tent size/**quantity**)

30x40 (18) / 30x60 (22) / 30x80 (26) / 30x100 (30)  
40x40 (20) / 40x60 (24) / 40x80 (28) / 40x100 (32)



Guy ropes



Canopy- section example

### STEP 2. SAFETY CHECK LIST



- Aluminum side and center poles
- Rope and grommet lace lines
- Ring and snap rain flap closures
- Sealed valances with velcro closures
- Removable ropes (standard on 30'/40')
- Side and center pole tie ropes
- Sidewall rope (permanently installed)
- Storage bags
- Guy ropes (one per pole— two per corner pole)
- Tent canopy (16 oz., blackout vinyl)  
Canopy-top— in 2 pieces, plus any mid-section extenders

See (appendix A.) for layout options

**Inspect the tent to make sure that there are no holes or tears**

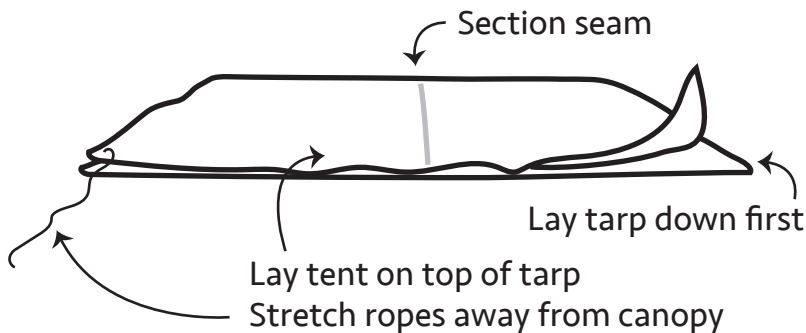
- **Recommended tools: sledge hammer/ step ladders/ tarp(s)/ tape measure**

Note: Tent and Table tents are designed for 1/2" rope or 2" webs and ratchet

- When building or assembling anything above shoulder height, wear a hard hat
- Steel toe boots are recommended
- Inspect the site, look for overhead and underground obstructions—such as utilities
- Call your local utility to have utility lines marked (call 3-5 days ahead)—**call811.com** is a good resource—'click' 811 in Your State
- Inspect all ropes and tie lines
- Inspect poles, making sure there are no bends or breaks
- Replace or repair any items in poor condition

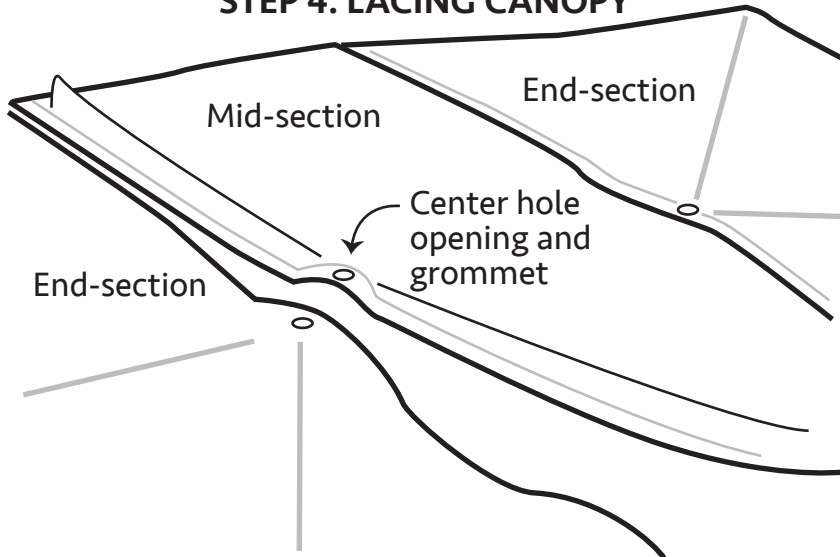
### STEP 3. LAY OUT TENT

Position tarp and tent in the exact position desired



- Spread tarps (sold separately)
- Unload poles and tent canopy
- Lay canopy over tarp
- Remove slack
- Square the canopy, measure from corner to corner— measurement should be the same for second set of corners
- All guy ropes/webs—should be pulled to the ground, away from canopy

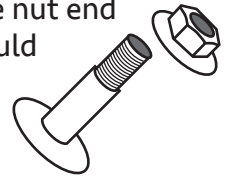
### STEP 4. LACING CANOPY



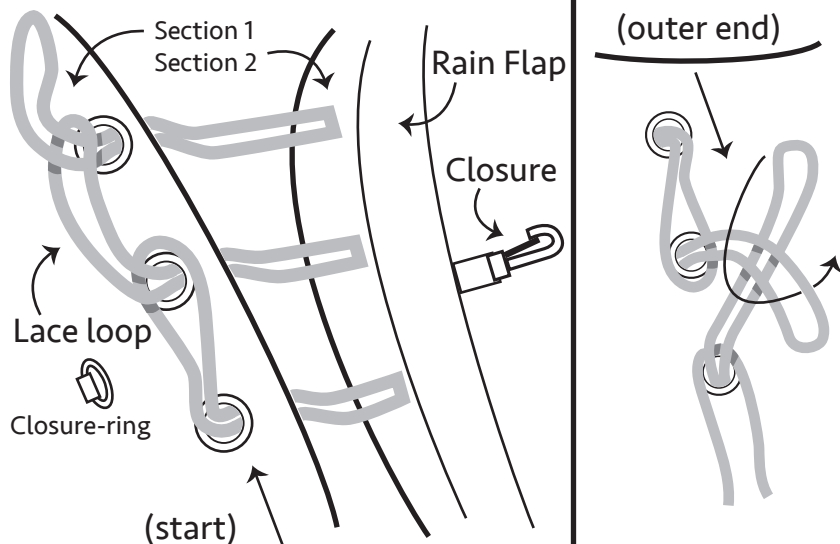
- Lace sections together— start at center and work outward
- A basic 40ft. tent will have two canopy sections—add one canopy section for every additional 20ft of tent
- Lace the loops and snap the closures, See **(figure A)**

Special note:

- For 30', 40' and 60' wide tents, a two piece *crown connector* is provided, to help secure the sections together
- Take it up through the center grommets, then cap it with the nut end
- The center pole would then get installed in the *connector*



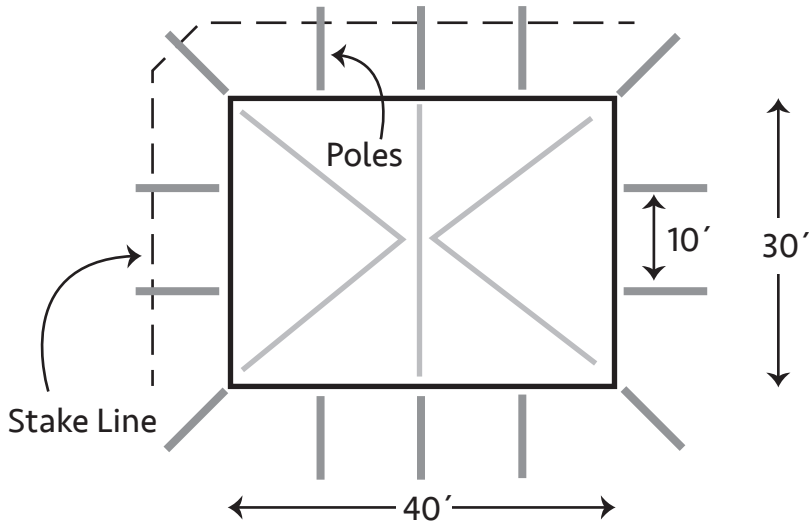
**FIGURE A.**



- Starting at Center ridge, push first loop through corresponding grommet
- Continue lacing the loops, from the middle out— pull tight at every loop, as you go
- Snap the closures and close rain flap as you progress outward
- When you get toward the outer end, lace the last two or three loops backwards and tie off the connecting loops
- Last, attach sections using ring and clip

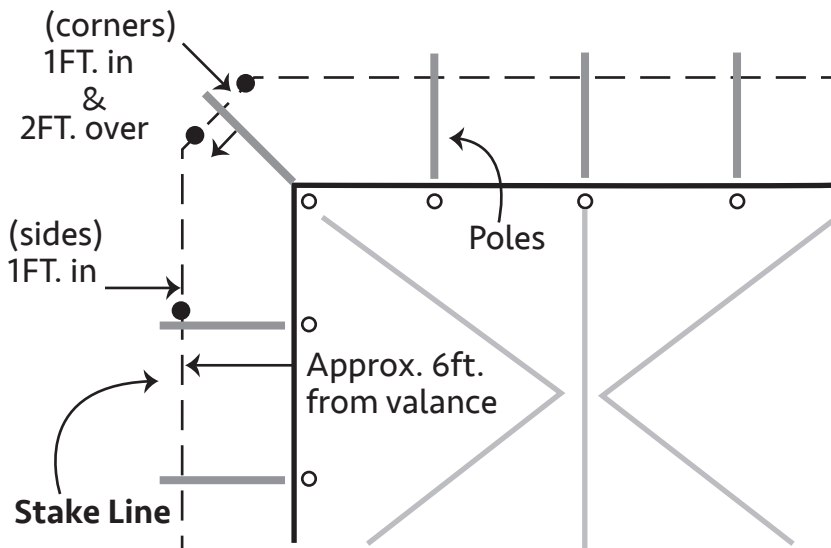


### STEP 5. POSITION POLES (30X40 TENT)



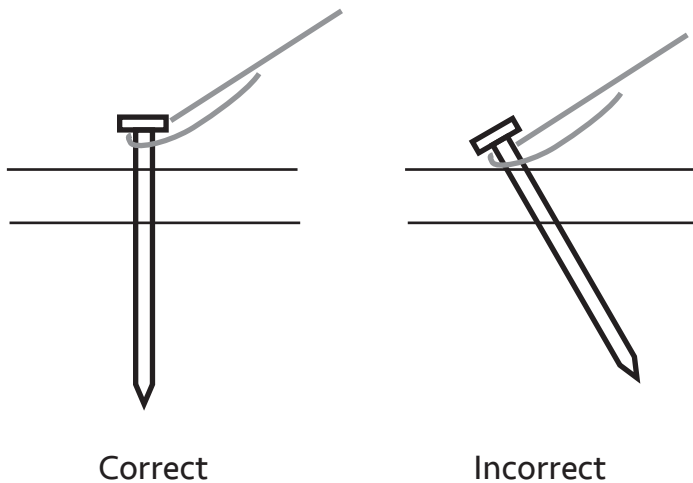
- Lay all poles, near grommet opening, touching the edge of canopy
- Poles should be perpendicular to tent (except corner poles, see drawing)
- Set aside center pole(s)
- Lay stakes near each pole
- Mark stake line (see figure B)
- See **(appendix A)** for other sizes and pole positions

### FIGURE B. - STAKE LOCATIONS



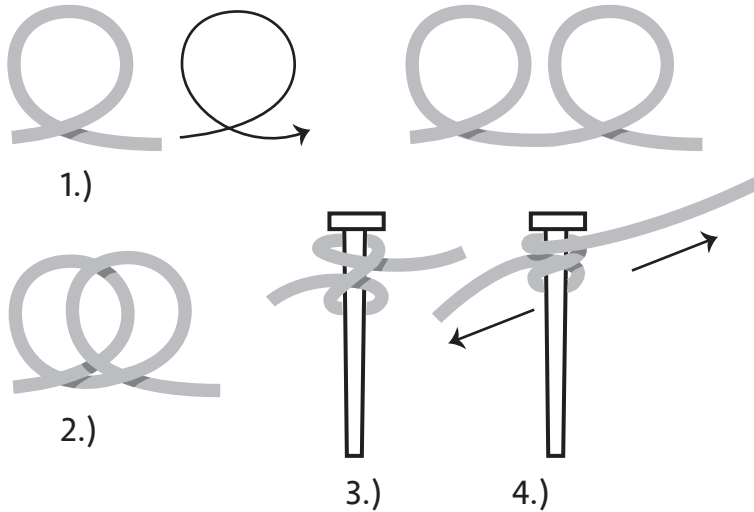
- Double check that poles are touching edge of canopy
- Using poles as a guide, measure 1 foot *in* from end for side poles— (approximately 6 feet from edge of valance)— and 1 foot *in* / 2 feet *over* for corner poles
- Hammer the stakes, leaving 6" showing above the ground (sledge hammer required)

### STEP 6. HAMMERING STAKES



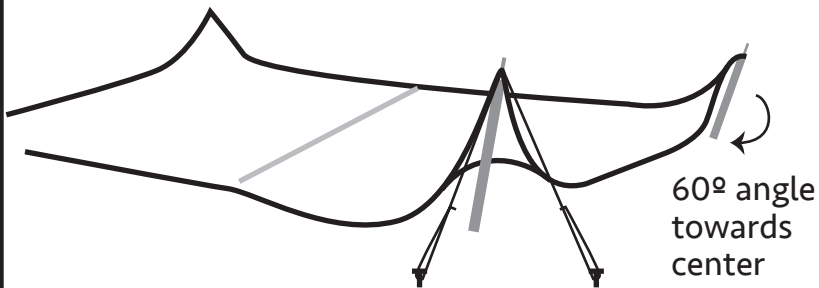
- Stakes should be vertical as they go down
- Attach corner poles and guy ropes first
- Attach guy ropes—remember to leave enough slack to raise poles, See **(figure B.)**

### FIGURE B. CLOVE-HITCH KNOT



- A commonly used knot for securing a rope to stake is the *clove-hitch*
- 1.) Make two loops
- 2.) Cross loops by placing second loop over the first
- 3.) Place the combined loops over stake  
Option: loops can be form directly on stake
- 4.) Pull on both ends to tighten rope  
Note: outward force tightens and inward force loosens the knot—when making adjustments
- 5.) Excess line should be pulled half-way up the rope and tied off

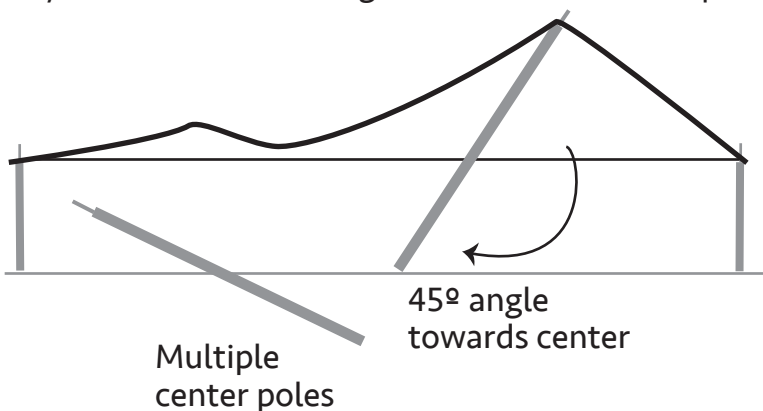
### STEP 7. RAISING CORNER POLES



- Locate metal grommet holes, on the underside of the canopy
- Insert pin end of pole
- Start with corner poles
- All four corner poles should be installed **FIRST**
- Stand poles up—this is done in steps, a 60° angle is require, for each corner pole—then vertical, after all four corners are ready
- Ropes should be attached

### STEP 8. RAISING CENTER POLE(S)

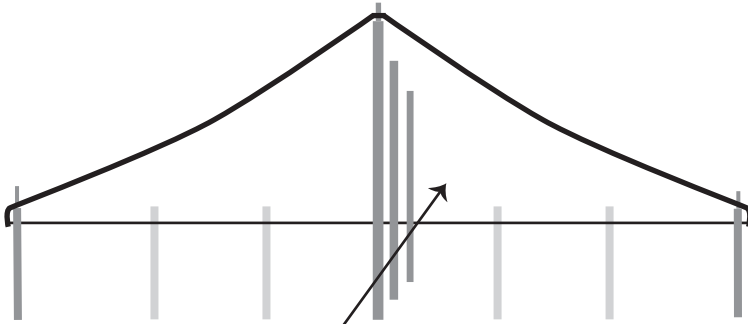
(cutaway view— showing inside of canopy)  
If your tent is 60ft. or longer start with one center pole



- Grab center pole(s) walk under canopy (two people required)
- Insert center pole pin through metal plate and grommet, at center of canopy
- To raise pole, have one person hold the pole near the upper half and person two, at the bottom end—raise upward and vertical
- For multiple poles; Insert first pole (as above), keep angle at 45 degrees to allow more stability, as you work on the other pole(s)
- Install next center pole in vertical position—then, go back to first pole, lift and adjust to vertical

### STEP 9. STRAIGHTENING POLES

(cutaway view— showing all center poles)

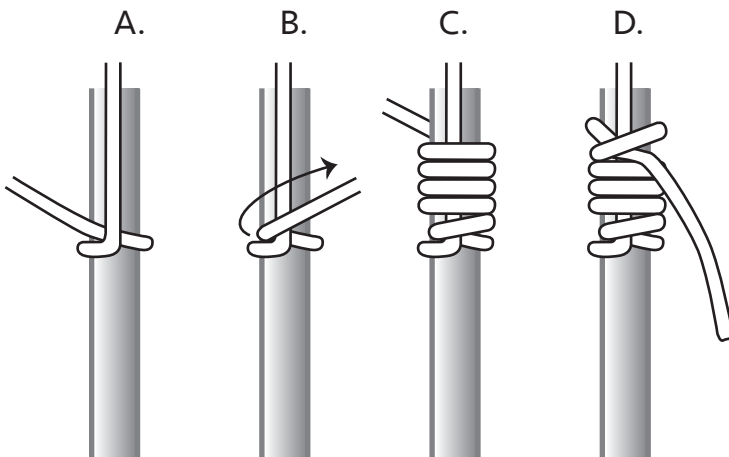


Stand in center of tent, outside of canopy

With one eye closed, visually align center poles

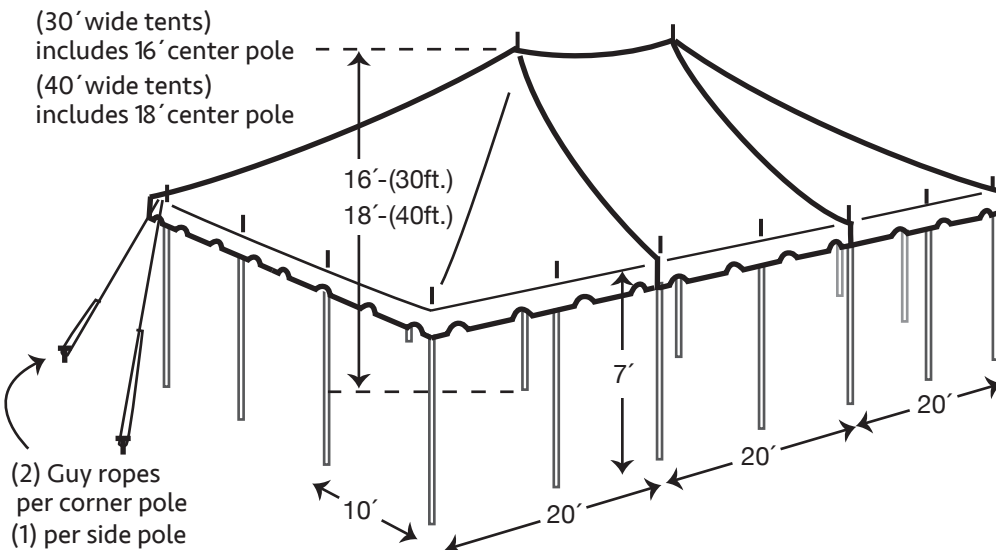
- Continue around the tent raising all side poles—now, at a vertical angle
- Adjust corner poles (exactly vertical) and tighten ropes before finishing the side poles
- 3 people needed for this next step: have one person stand at the outside, center of tent— Visually check center pole alignment, as it relates to horizontal center
- Two others should be adjusting and Straightening center poles
- Next, readjust side poles— tighten ropes
- Tighten guy ropes accordingly, to correct any lean at top of tent (careful not to over correct)

### STEP 10. SECURE CENTER POLES



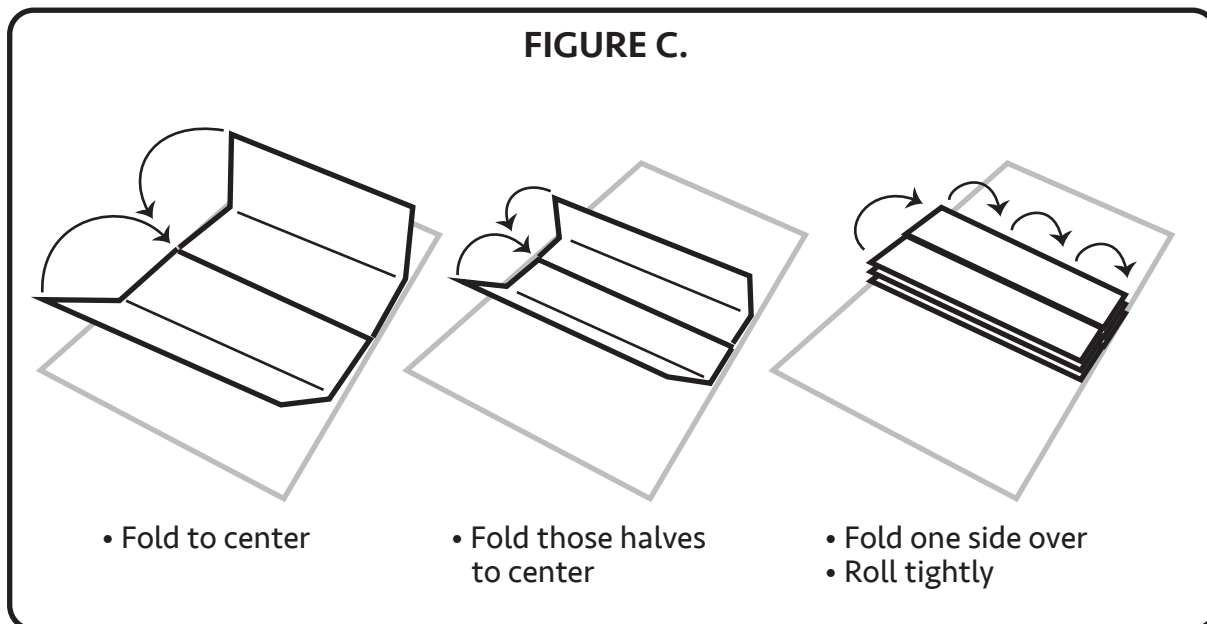
- Secure center poles with tie ropes— to prevent strong winds from detaching pole pins from canopy
- A.) Pull tie rope down about 6 ft. begin first loop
- B.) Then, pull it back taut, to create a locked tension
- C.) Wrap the rope around the pole 4x, to create a tight coil
- D.) Lastly, pull the end of the rope through the top loop
- Secure other poles to canopy, using tie ropes

### FINISHED TENT

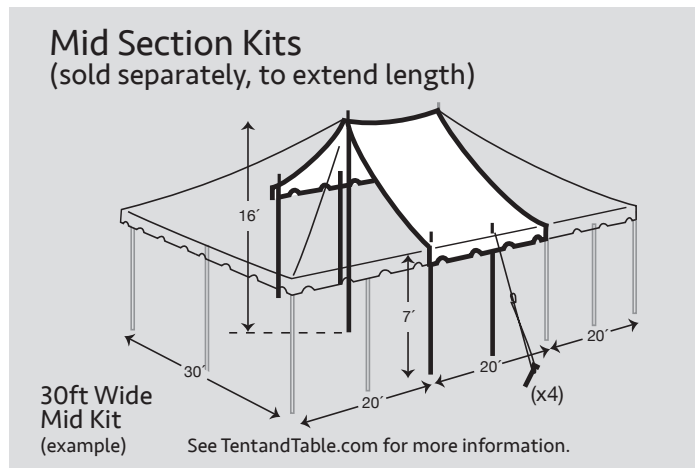


## STRIKE PROCEDURE

- 1.) Loosen side pole ropes
- 2.) Remove center pole(s)
- 3.) Roll out tarp, under tent
- 4.) Remove side poles
- 5.) Undo all velcro (if applicable)
- 6.) Remove corner poles
- 7.) Unlace the canopy top— unclip the rain flap to access loops
- 8.) Fold canopy sections, see (figure C)
- 9.) Bag the canopy sections



Mid-section (only) kits available for 30ft. and 40ft. wide tents— to extend your sectional tent



# Appendix A.

- Plans— showing pole location and section seams

