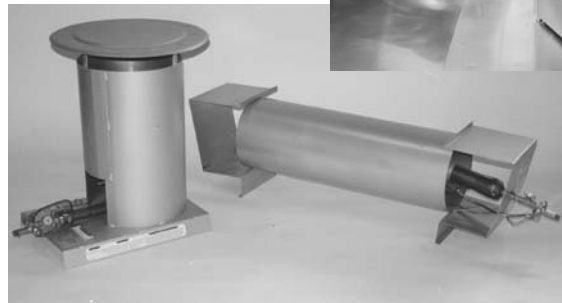
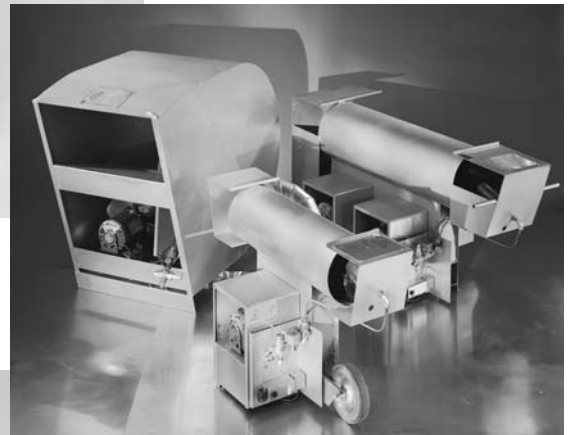




Construction Heater

Pilot Light and Electronic Ignition



Parts Identification Guide



Quality heaters you can count on.

W6636 L.B. White Rd., Onalaska, WI 54650 ■ (800) 345-7200 ■ (608) 783-5691 ■ (608) 783-6115, fax ■ info@lbwhite.com

Table of Contents



PARTS IDENTIFICATION GUIDE

Tradesman Portable Forced Air Heaters	Section/Page
CP100C	1.2
292E	1.4
296E	1.4
298E	1.4
CP100A	1.6
CP100B	1.6
CP155A	1.6
CP155B	1.6
CP155C Non-Diagnostic	1.8
CP155C Diagnostic	1.10
CP380A	1.12
CP380B	1.12
CP304D	1.14
CP400A	1.14
CP400B Non-Diagnostic	1.16
CP400B Diagnostic	1.18
Workman & Norseman Convection Heaters	
320B	2.2
322	2.4
340	2.6
340A	2.6
CV200	2.6
341	2.8
380	2.10
382	2.10
CV100 (Low Pressure Natural Gas)	2.12
CV250	2.14
Jet, Twin Jet & Big Bertha Circulating Construction Heaters	
324	3.2
326	3.2
328	3.2
330	3.2
334	3.4
336	3.4
Foreman Portable Unit Heaters	
CS080C	4.2
CS080D	4.2
CS080E	4.2
CS170C	4.4
CS170D	4.4



Table of Contents (Cont.)

Premier Series and other Tent Heaters

286A	.5.2
286B	.5.2
290A	.5.4
290B	.5.4
CT080A	.5.6
CT080B	.5.6
CT170A	.5.8
CT170B	.5.8
TS080C	.5.10
TS080D	.5.10
TS080E	.5.10
TS170C	.5.12
TS170D	.5.12
TS350A	.5.14

Tradesman Kerosene Heaters

K70	.6.2
K150	.6.5
K155	.6.9
K350	.6.13
K600	.6.18

Service Parts, Kits & Accessories	.7.1
Warranty Guidelines	.8.1

Parts Identification Guide



The parts identification guides on the following pages have been designed to give a quick reference to component parts used on all types of L.B. White construction heaters, such as convection, circulating, direct spark ignition, and kerosene heaters. The guides identify components not only used on current production, but also on equipment that is of earlier design. To use the guides properly, you should know the model number of the heater and its design sequence. For some heaters, there are no differences in components regardless of design or age. Therefore, you will find components are common, and identifying a specific design sequence is not necessary.

Other heater models will refer to specific designs for parts selection. You will need to obtain the design sequence level


to accurately determine the proper placement component. This information is identified on the dataplate. Some models may have the design sequence shown as the 4th digit of the model number. For other models, the dataplate will identify a configuration number. The design sequence is the first digit of the configuration number.

Parts lists and schematics are shown on the following pages for the respective heaters.

The parts guides also identify part numbers for the most commonly requested components, wires, and hardware items used on the heaters. If a wire, nut, or screw, etc. is not identified, please contact the L. B. White Co. for parts ordering information.


Dataplate Comparison

Without Configuration Number



MODEL 296E
SERIAL NO.:


Design Sequence



MAXIMUM INPUT: **60,000 BTUH**
TYPE FUEL: PROPANE VAPOR WITHDRAWAL
BURNER MANIFOLD PRESSURE **10** IN W.C. AT MAXIMUM INPUT
ELECTRICAL: 115 VOLTS A.C. 60 HZ SINGLE PHASE 1.4 AMPS
MIN. CLEARANCES FROM HEATER TO ADJACENT COMBUSTIBLE MATERIALS: REAR **6 IN.** SIDES **6 IN.**
TOP TO CEILING **6 IN.** BLOWER OUTLET **10 FT** AND FUEL CONTAINER 6 FT
VENTILATION: **625** CFM OF AIR REQUIRED TO SUPPORT COMBUSTION.
MAXIMUM **11** INCHES W.C. AND MINIMUM **11** INCHES W.C. GAS SUPPLY PRESSURE ACCEPTABLE AT INLET OF HEATER FOR PURPOSE OF INPUT ADJUSTMENT.


L. B. WHITE CO., INC. W6636 L.B. WHITE ROAD ONALASKA, WI 54650 608/783-5691

With Configuration Number



MODEL CS170
CONFIGURATION NO. **DSPD120104**
SERIAL NO.:

Design Sequence



MAXIMUM INPUT: **170,000 BTUH**
TYPE FUEL: PROPANE VAPOR WITHDRAWAL
BURNER MANIFOLD PRESSURE **10.0** IN W.C. AT MAXIMUM INPUT
ELECTRICAL: 115 VOLTS A.C. 60 HZ SINGLE PHASE 1.5 AMPS
MIN. CLEARANCES FROM HEATER TO ADJACENT COMBUSTIBLE MATERIALS: REAR **1 FT** SIDES **1 FT**
TOP TO CEILING **1 FT** BLOWER OUTLET **6 FT** AND FUEL CONTAINER 6 FT
VENTILATION: **1050** CFM OF AIR REQUIRED TO SUPPORT COMBUSTION.
MAXIMUM **13.5** INCHES W.C. AND MINIMUM **11** INCHES W.C. GAS SUPPLY PRESSURE ACCEPTABLE AT INLET OF HEATER FOR PURPOSE OF INPUT ADJUSTMENT.

L. B. WHITE CO., INC. W6636 L.B. WHITE ROAD ONALASKA, WI 54650 608/783-5691

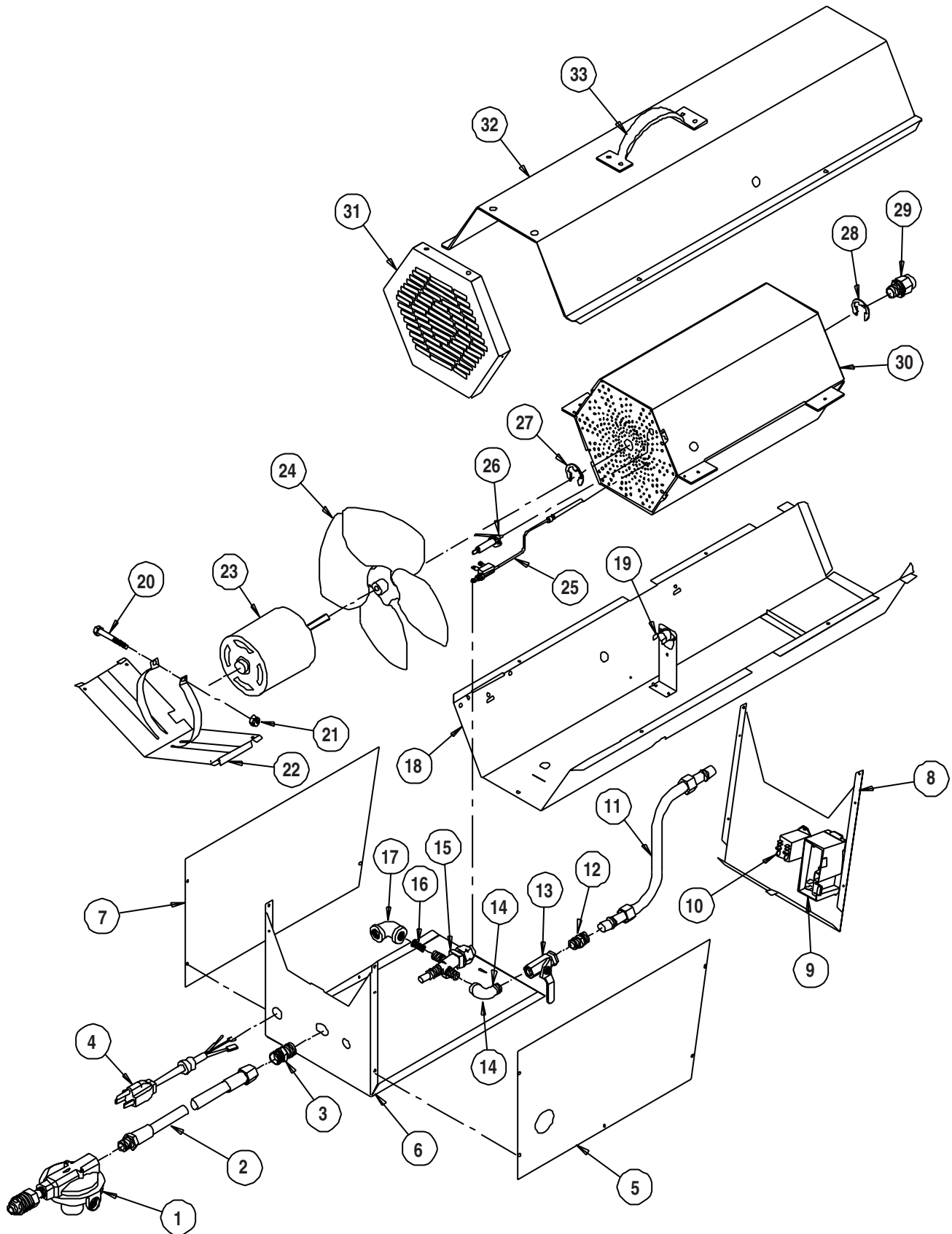


TRADESMAN

Portable Forced Air Heaters

Portable Forced Air Heaters

MODEL CP100C



Portable Forced Air Heaters



PARTS IDENTIFICATION

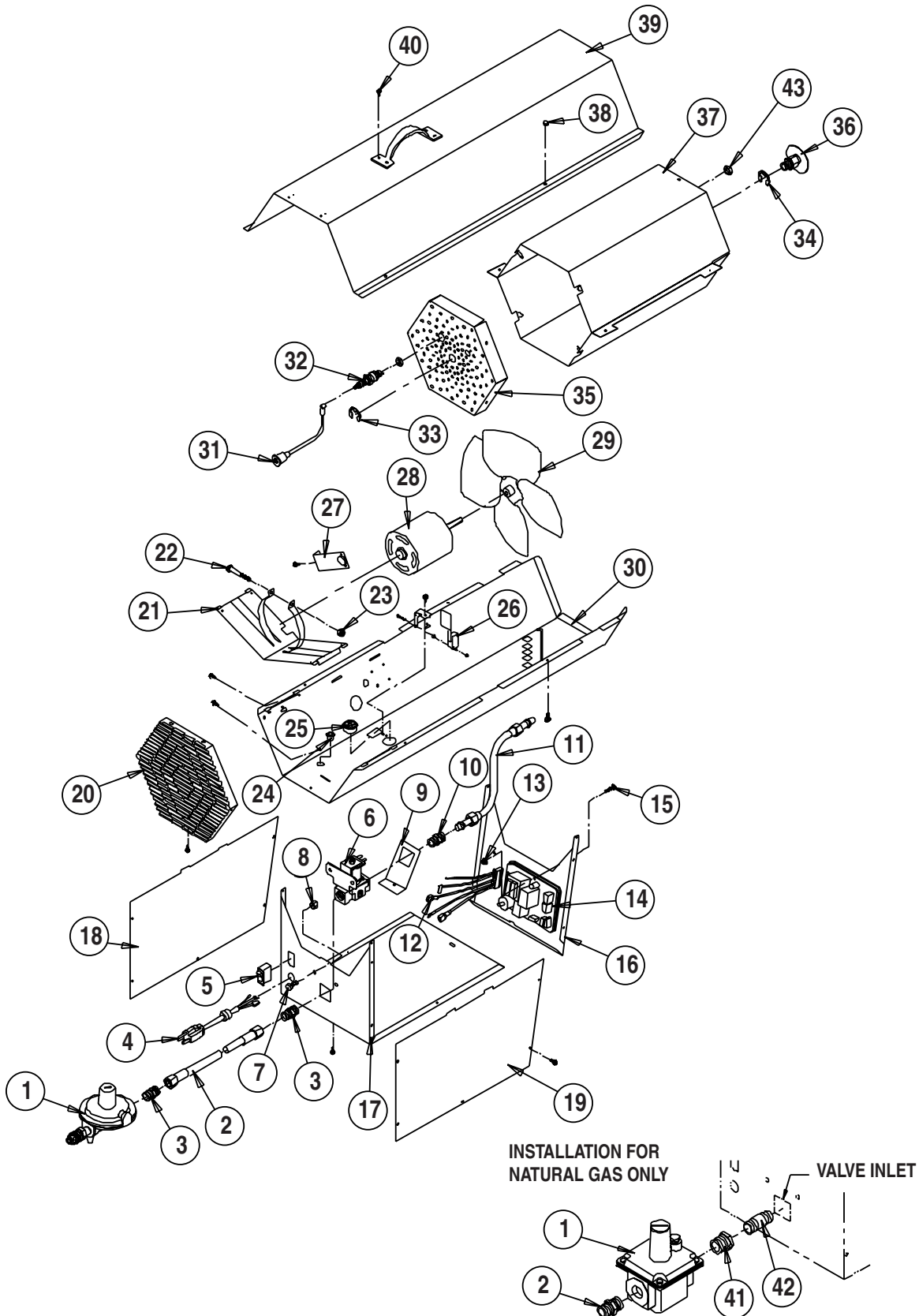
Item	Description	Model CP100C
1	Regulator, Single Stage	130-21856
2	Hose, 3/8 in. ID x 10 ft.	400-21841
3	Adapter, Hose	310-06654
4	Cord, Power	120-09139
5	Panel, Left with Marking	500-21795
6	Case, Back	271-21794
7	Panel, Right	271-21796
8	Case, Front	271-21798
9	Control, Ignition	120-21813
10	Relay with Clips and Screws	400-21816
11	Tube, Manifold with Nuts and Sleeves	550-21805
12	Union	130-21809
13	Valve, Heat Adjustment	130-21806
14	Ell, 1/4 in.	130-01425
15	Valve, Safety Control with Screen	550-21808
16	Screen	130-20391
17	Elbow	130-21807
18	Case, Barrel Bottom	271-21794
19	Switch, Backflash	400-21855
20	Bolt	130-03140
21	Nut	130-04955
22	Mount, Motor	220-21828
23	Motor	120-21830
24	Fan	130-21829
25	Thermocouple with Retaining Sleeve	550-21811
25A	Sleeve, Thermocouple Retaining (Not Illustrated)	130-21812
26	Igniter	130-21803
27	Ring, Bowed	130-08460
28	Ring, Flat	130-05847
29	Orifice with Rings	550-21802
30	Chamber, Heat with Igniter, Orifice and Burner Plate	500-21799
31	Guard, Inlet	225-21792
32	Case, Top	271-21793
33	Handle with Screws	550-03941

DESCRIPTION	WIRE SELECTION TABLE		
	COLOR	LENGTH (IN.)	PART NO.
Ignition Control terminal "N" to L1 wire nut	White	5 1/2	120-21819
Ignition Control terminal "L" to L2 wire nut	Black	5 1/2	120-21820
Relay terminal #7 to L1 wire nut	White	4 3/4	120-21821
Relay terminal #8 to L2 wire nut	Black	4 3/4	120-21822
Ignition Control terminal #2 to ground screw	Green	8	120-21823
Backflash Switch to Thermocouple energy cut-off block terminal	Yellow	16	120-21824
Relay terminal #5 to Thermocouple energy cut-off block terminal	Yellow	12	120-21825
Relay terminal #3 to Backflash Switch	Yellow	12	120-21825
Ignition Control terminal #1 to Igniter terminal	Red	13	120-21826

FASTENER SELECTION TABLE		
DESCRIPTION	APPLICATION	PART NO.
Screw	Case	130-07288

Portable Forced Air Heaters

MODELS 292E, 296E & 298E



Portable Forced Air Heaters



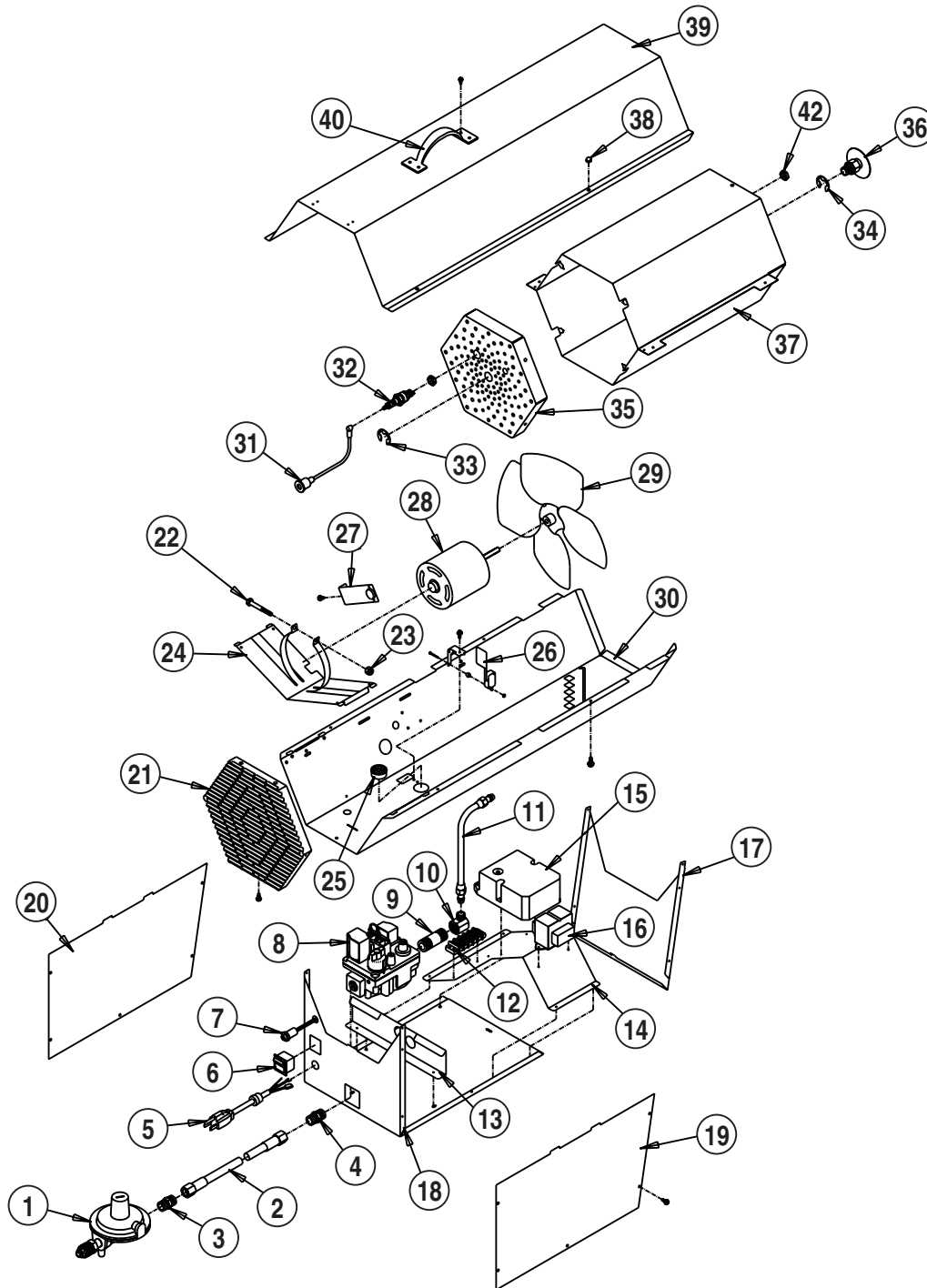
PARTS IDENTIFICATION

Item	Description	Model		
		292E	296E	298E
1	Regulator	L.P. Gas----- Natural Gas	550-06772----- N/A-----	N/A 500-06713
2	Hose, 1/2In. x 10 Ft.		400-20243-----	
3	Adapter, 3/8 NPT x 1/2 NPS		310-03536-----	310-02894
4	Cord, Power		120-05795-----	
5	Switch, On/Off		120-03834-----	
6	Valve, Gas Control		400-05309-----	
7	Bolt		130-01151-----	
8	Nut		130-04955-----	
9	Bracket		220-05774-----	
10	Union		130-04786-----	
11	Tube, Manifold w/ Nuts & Sleeves		550-06723-----	
12	Harness, Wire		120-07027-----	
13	Nut, Nylon		130-05505-----	
14	Control, Direct Spark Ignition		550-07324-----	
15	Screw, Nylon		130-06476-----	
16	Case, Front		271-06218-----	
17	Case, Base & Back		271-06217-----	
18	Case, Right Panel		271-07162-----	
19	Case, Left Panel		271-06316-----	
20	Guard, Fan		220-06403-----	
21	Mount, Motor		220-06400-----	
22	Bolt		130-03140-----	
23	Nut, Self Locking		130-04955-----	
24	Bushing		130-04817-----	
25	Bushing		130-05768-----	
26	Switch, Air Proving		400-06739-----	
27	Switch Backflash		550-06687-----	
28	Motor		120-03830-----	
29	Fan		130-05686-----	
30	Case, Bottom		271-06219-----	
31	Wire, Igniter		120-09347-----	
32	Igniter w/ Nuts, Gapped		550-07160-----	
33	Ring, Retaining (Bowed)		130-05848-----	
34	Ring, Retaining (Flat)		130-05847-----	
35	Burner Plate		260-06429-----	
36	Orifice, Burner w/ Retaining Rings	550-05851	550-06685	550-06686
37	Heat Chamber Assembly (Includes Heat Chamber, Orifice & Igniter)	400-06939	400-06938	400-06940
38	Nut Acorn		130-03938-----	
39	Case Top		271-06222-----	
40	Handle (w/ Screws)		550-03941-----	
41	Bushing	--	--	130-01195
42	Nipple	--	--	130-02421
43	Nut Jam		130-05460-----	

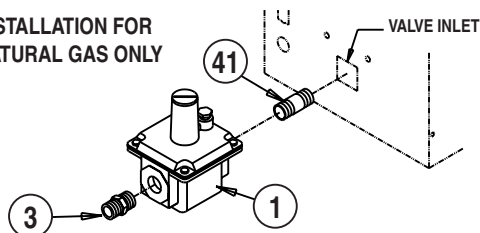
* Not available as an assembly.

Portable Forced Air Heaters

MODELS CP100A, CP100B, CP155A & CP155B



INSTALLATION FOR
NATURAL GAS ONLY



Portable Forced Air Heaters

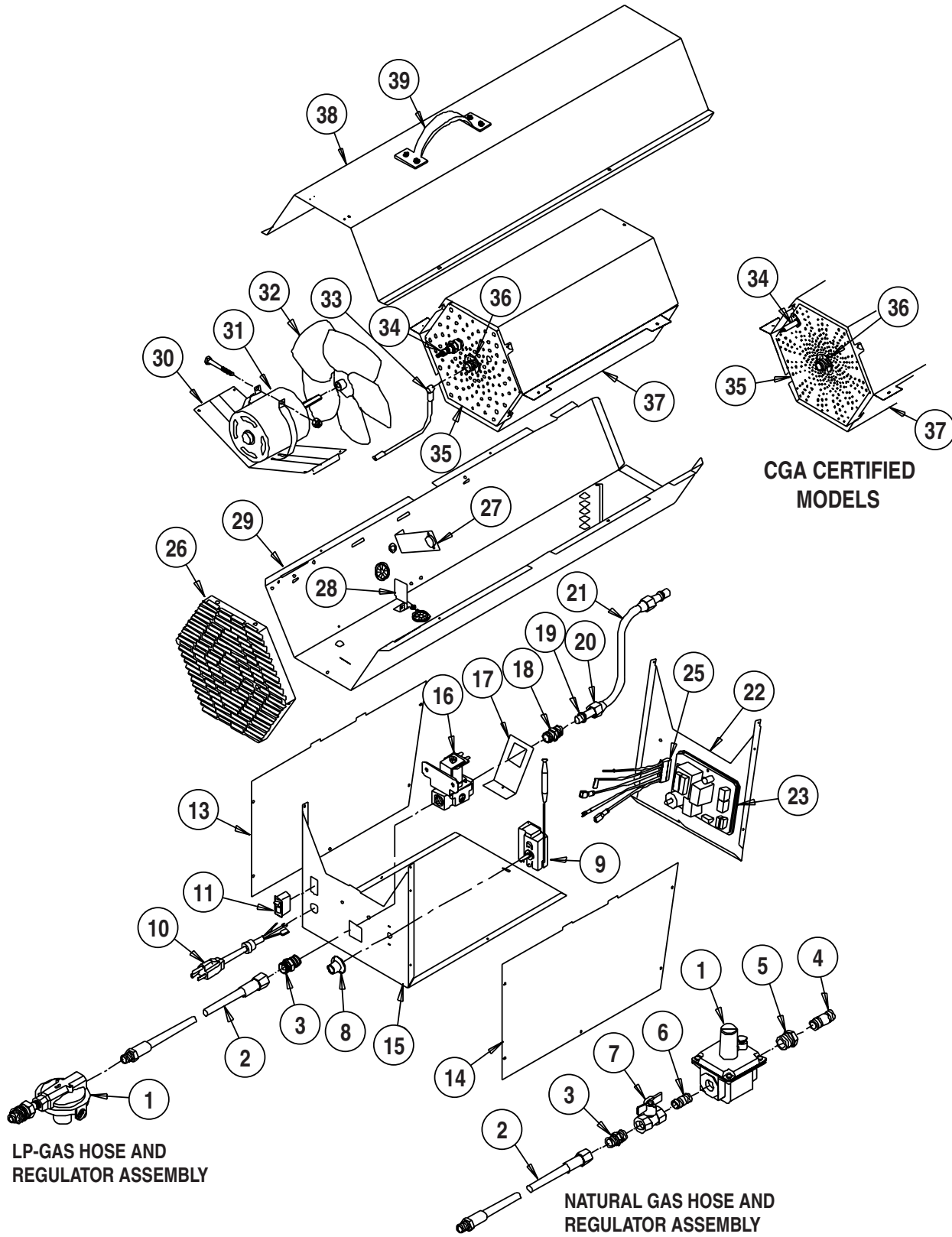


PARTS IDENTIFICATION

Item	Description	Model	
		CP100A & CP100B	CP155A & CP155B
1	Regulator	L.P. Gas	550-06772
		Natural Gas	N/A 550-06713
2	Hose 1/2 In. x 10 Ft.		400-20243
3	Adapter, Hose to Regulator	L.P. Gas	310-03536
		Natural Gas	310-02894
4	Adapter, 1/2 NPS x 1/2 NPT, L.P. Gas		310-02894
5	Cord, Power		400-08961
6	Switch, On/Off		120-08240
7	L.E.D. w/ Leads		120-08811
8	Valve, Gas Control	L.P. Gas	550-06071
		Natural Gas	550-06623
9	Nipple		130-08899
10	Elbow		130-08900
11	Tube, Tinned Manifold, w/ Nuts & Sleeves		550-22549
12	Terminal Strip		120-08253
13	Bracket, Gas Control		225-08792
14	Bracket, Control Mounting		225-08579
15	Control, Ignition		120-08810
16	Transformer		120-08260
17	Case, Front		271-08575
18	Case, Base w/ Back		271-08576
19	Case, Panel, Left		271-06316
20	Case, Panel, Right		271-07162
21	Guard, Fan		220-06403
22	Bolt		130-03140
23	Nut, Self Locking		130-04955
24	Mount, Motor		220-06400
25	Bushing		130-05768
26	Switch, Air Proving		400-06739
27	Switch, Backflash		550-06687
28	Motor		120-03830
29	Fan		130-05686
30	Case Bottom		271-06219
31	Wire, Igniter		120-09347
32	Igniter, w/ Nuts Gapped		550-07160
33	Ring, Retaining, Bowed		130-05848
34	Ring, Retaining, Flat		130-05847
35	Burner Plate		260-06429
36	Orifice, Burner w/ Retaining Rings	L.P. Gas	550-05851 550-06685
		Natural Gas	550-06686
37	Heat Chamber Assembly	L.P. Gas	400-06939 400-06938
		Natural Gas	400-06940
	(Includes Heat Chamber, Orifice, and Igniter)		
38	Nut, Acorn		130-03938
39	Case, Top		271-06222
40	Handle, w/ Screws		550-03941
41	Nipple, Natural Gas		
42	Nut, Jam		130-05460

Portable Forced Air Heaters

MODEL CP155C NON-DIAGNOSTIC



Portable Forced Air Heaters

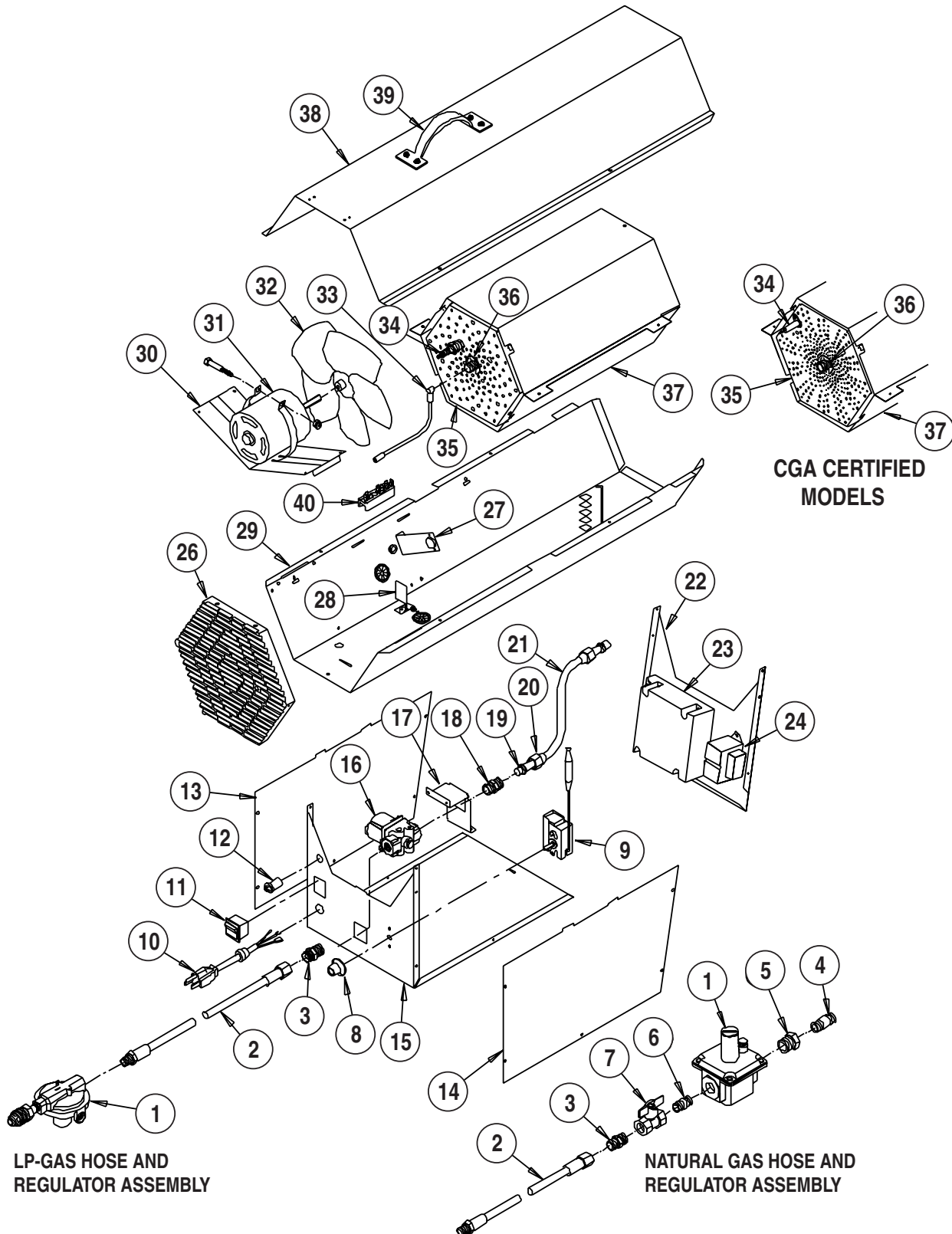


PARTS IDENTIFICATION

Item	Description	Model CP155 C Non-Diagnostic
1	Regulator with POL (LP Gas)	400-06772
	Regulator (Natural Gas)	400-06713
2	Hose, Fixed X Swivel, 3/8 in. x 10 ft., LP	400-21841
	Hose, Fixed X Swivel, 3/8 in. x 15 ft. LP (Canada)	400-22278
	Hose, Fixed X Swivel, 1/2 in. x 10 ft. NG	400-20504
	Hose, Fixed X Swivel, 1/2 in. x 15 ft. NG (Canada)	400-22589
3	Adaptor, Hose, 3/8 in. (LP Gas)	310-06654
	Adaptor, Hose, 1/2 in. (Natural Gas)	310-02894
4	Nipple	130-02421
5	Bushing, Pipe	130-01195
6	Nipple, 1/2 in. Close	130-01305
7	Valve, Manual	130-05548
8	Thermostat Knob	130-22214
9	Thermostat	120-22213
10	Power Cord	120-05795
11	Switch, ON/OFF	120-03834
12	Lens, L.E.D.	120-22299
13	Case, Right Side	271-07162
14	Case, Left Side	271-06316
15	Case, Bottom and Back	271-22388
16	Solenoid Valve, 24V	120-22400
	Solenoid Valve, 120V	120-05144
17	Bracket Valve, 24V	225-22399
	Bracket Valve, 120V	220-05774
18	Union, Half	130-04786
19	Sleeve, Compression	130-03879
20	Nut, Compression	130-05772
21	Tube, Formed Copper, AGA (LP)	410-05775
	Tube, Formed Copper, AGA (NG)	410-06710
	Tube, Formed Copper, CGA (LP) Canada	410-22579
	Tube, Formed Copper, CGA (NG) Canada	410-22578
22	Case, Front	271-06218
23	Direct Spark Ignition Control	120-22301
	Direct Spark Ignition Control, AGA	120-07637
	Direct Spark Ignition Control, CGA (Canada)	120-22304
24	Transformer	120-06979
25	Wire Harness, AGA	120-07027
	Wire Harness, CGA (Canada)	410-22598
26	Air Inlet Guard	130-07288
27	Switch, Backflash, Assembly	400-06687
28	Switch, Air-proving/Sail, Assembly with Bracket	400-06739
29	Case, Barrel Bottom	271-22391
30	Bracket, Motor Mount	220-06400
31	Motor	120-03830
32	Fan	130-21575
33	Wire, Igniter, Black, AGA	120-09347
	Wire, Igniter, Red, CGA (Canada)	120-22590
34	Igniter, Spark Plug, AGA	410-08834
	Igniter, Spark Plug, CGA (Canada)	130-21803
35	Burner Plate, AGA	260-06429
	Burner Plate, CGA (Canada)	260-22588
36	Orifice with Retaining Rings, AGA (LP)	550-06685
	Orifice with Retaining Rings, AGA (NG)	550-06686
	Orifice with Retaining Rings, CGA (Canada) LP	550-22614
	Orifice with Retaining Rings, CGA (Canada) NG	550-22615
37	Panel, Heat Chamber (2 Required)	260-06804
38	Case, Top	271-06222
39	Handle	130-03941
40	Terminal Block	120-22296

Portable Forced Air Heaters

MODEL CP155C DIAGNOSTIC



LP-GAS HOSE AND
REGULATOR ASSEMBLY

NATURAL GAS HOSE AND
REGULATOR ASSEMBLY

Portable Forced Air Heaters

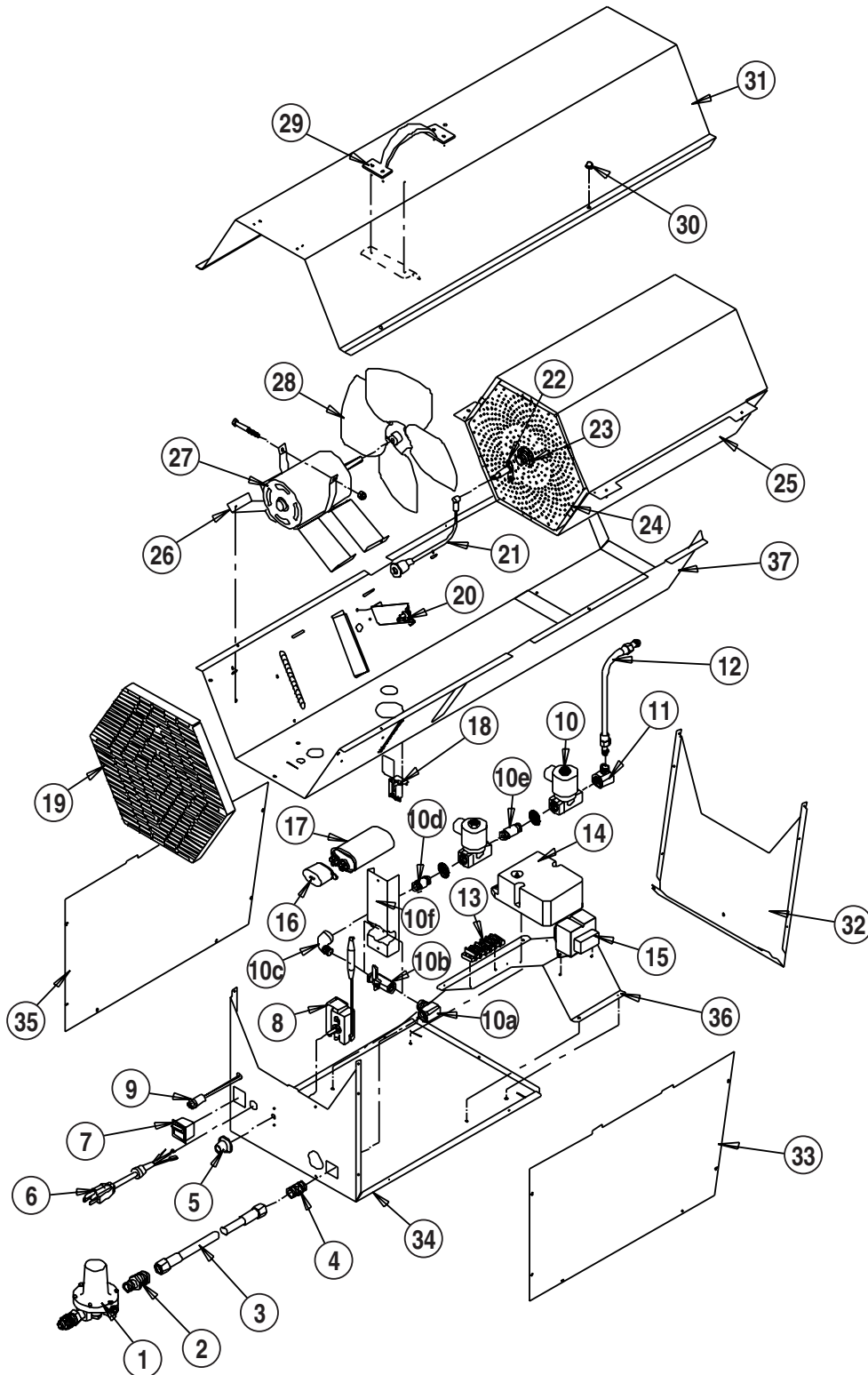


PARTS IDENTIFICATION

Item	Description	Model CP155 C Diagnostic
1	Regulator with POL (LP Gas)	400-06772
	Regulator (Natural Gas)	400-06713
2	Hose, Fixed X Swivel, 3/8 in. x 10 ft., LP	400-21841
	Hose, Fixed X Swivel, 3/8 in. x 15 ft. LP (Canada)	400-22278
	Hose, Fixed X Swivel, 1/2 in. x 10 ft. NG	400-20504
	Hose, Fixed X Swivel, 1/2 in. x 15 ft. NG (Canada)	400-22589
3	Adaptor, Hose, 3/8 in. (LP Gas)	310-06654
	Adaptor, Hose, 1/2 in. (Natural Gas)	310-02894
4	Nipple	130-02421
5	Bushing, Pipe	130-01195
6	Nipple, 1/2 in. Close	130-01305
7	Valve, Manual	130-05548
8	Thermostat Knob	130-22214
9	Thermostat	120-22213
10	Power Cord	400-08961
11	Switch, ON/OFF	120-08240
12	Lens, L.E.D.	120-22299
13	Case, Right Side	271-07162
14	Case, Left Side	271-06316
15	Case, Bottom and Back	271-22389
16	Solenoid Valve, 24V	120-22400
17	Bracket Valve, 24V	225-22399
18	Union, Half	130-04786
19	Sleeve, Compression	130-03879
20	Nut, Compression	130-05772
21	Tube, Formed Copper, AGA (LP)	410-22392
	Tube, Formed Copper, AGA (NG)	410-22398
	Tube, Formed Copper, CGA (LP) Canada	410-22580
	Tube, Formed Copper, CGA (NG) Canada	410-22581
22	Case, Front	271-22390
23	Direct Spark Ignition Control	120-22301
24	Transformer	120-06979
26	Air Inlet Guard	130-07288
27	Switch, Backflash, Assembly	400-06687
28	Switch, Air-proving/Sail, Assembly with Bracket	400-06739
29	Case, Barrel Bottom	271-22391
30	Bracket, Motor Mount	220-06400
31	Motor	120-03830
32	Fan	120-09347
	Wire, Igniter, Red, CGA (Canada)	120-22590
34	Igniter, Spark Plug, AGA	410-08834
	Igniter, Spark Plug, CGA (Canada)	130-21803
35	Burner Plate, AGA	260-06429
	Burner Plate, CGA (Canada)	260-22588
36	Orifice with Retaining Rings, AGA (LP)	550-06685
	Orifice with Retaining Rings, AGA (NG)	550-06686
	Orifice with Retaining Rings, CGA (Canada) LP	550-22614
	Orifice with Retaining Rings, CGA (Canada) NG	550-22615
37	Panel, Heat Chamber (2 Required)	260-06804
38	Case, Top	271-06222
39	Handle	130-03941
40	Terminal Block	120-22296

Portable Forced Air Heaters

MODELS CP380A & CP380B



Portable Forced Air Heaters

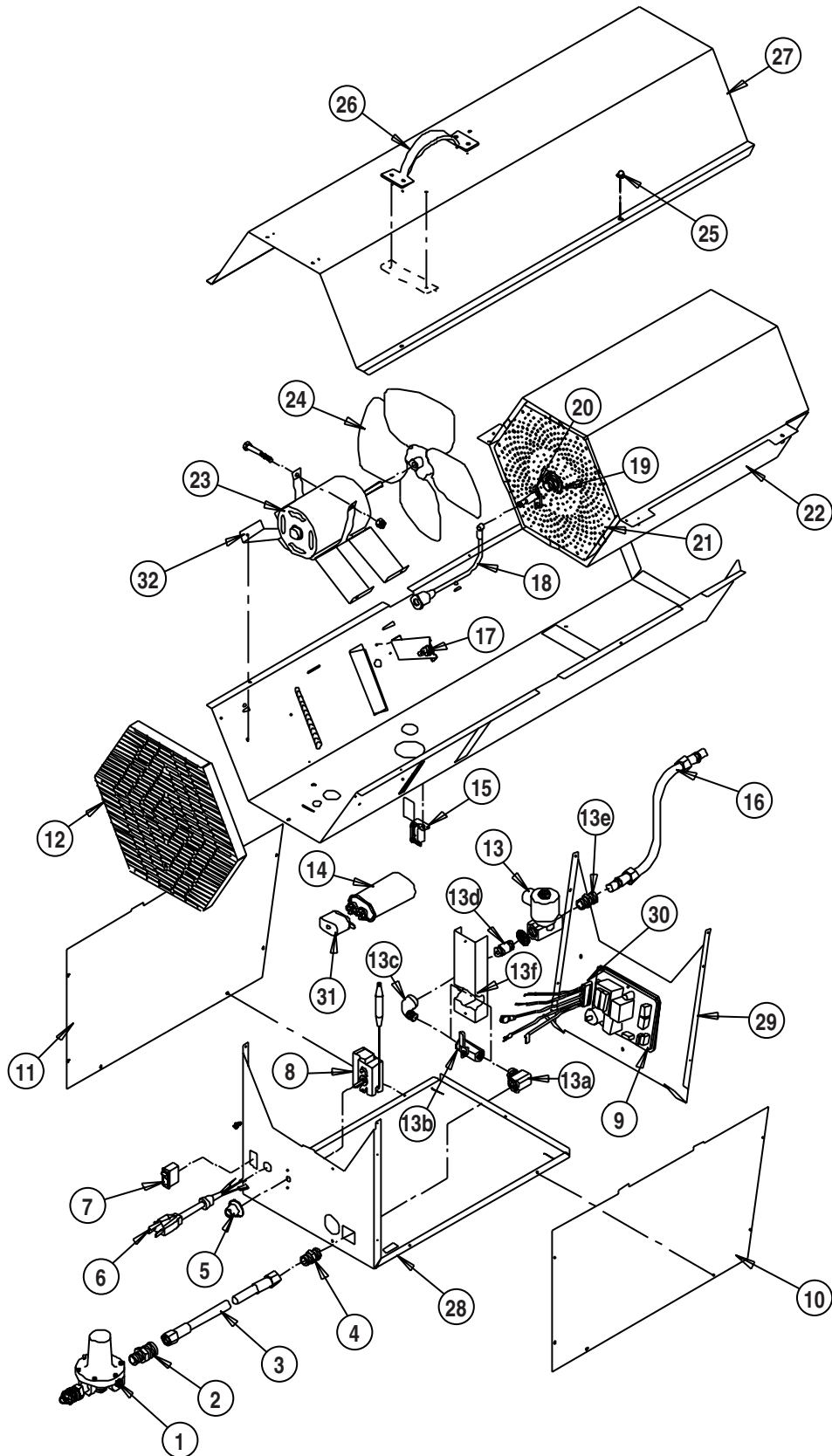


PARTS IDENTIFICATION

Item	Description	Model	
		CP380A	CP380B
1	Regulator	-----400-08997-----	-----400-08997-----
2	Adapter, 1/4 NPT x 1/2 NPS	-----310-06771-----	-----310-06771-----
3	Hose, 1/2 In. x 10 Ft.	-----550-20719-----	-----550-20719-----
4	Adapter, 3/8 NPT x 1/2 NPS	-----310-03536-----	-----310-03536-----
5	Knob, Thermostat	-----130-04805-----	-----130-04805-----
6	Cord, Power	-----120-05795-----	-----120-05795-----
7	Switch, On/Off	-----120-08240-----	-----120-08240-----
8	Thermostat	-----550-05829-----	-----550-05829-----
9	L.E.D. w/ Leads	-----120-08811-----	-----120-08811-----
10	Solenoid Valve Assembly (Includes Items 10a - 10c)	-----400-08814-----	-----400-08814-----
10a	Ell, Brass	-----130-08011-----	-----130-08011-----
10b	Valve, Throttle	-----130-06871-----	-----130-06871-----
10c	Ell, Black Pipe	-----130-01175-----	-----130-01175-----
10d	Nipple	-----130-02421-----	-----130-02421-----
10e	Nipple	-----130-03121-----	-----130-03121-----
10f	Bracket	-----225-08010-----	-----225-08010-----
11	Elbow	-----130-08816-----	-----130-08816-----
12	Manifold, Tube w/ Nuts & Sleeves	-----550-08815-----	-----550-08815-----
13	Terminal Board	-----120-08253-----	-----120-08253-----
14	Control, Ignition	-----120-08810-----	-----120-08810-----
15	Transformer	-----120-08958-----	-----120-08958-----
16	Boot, Capacitor	-----120-04938-----	-----120-04938-----
17	Capacitor	-----120-04720-----	-----120-04720-----
18	Switch, Air Proving, w/ Bracket	-----400-06739-----	-----400-06739-----
19	Guard, Fan	-----225-06307-----	-----225-06307-----
20	Switch, Backflash	-----400-06664-----	-----400-06664-----
21	Wire, Igniter	-----120-09347-----	-----120-09347-----
22	Igniter	-----500-20312-----	-----500-20312-----
23	Orifice, w/ Retaining Rings	-----550-20410-----	-----550-20410-----
24	Burner Plate	-----260-06314-----	-----260-06314-----
25	Heat Chamber, w/ Burner Plate & Igniter	-----400-20416-----	-----400-20416-----
26	Mount, Motor	-----260-06717-----	-----260-06717-----
27	Motor	-----120-04719-----	-----120-04719-----
28	Fan Blade	-----130-06697-----	-----130-06697-----
29	Handle	-----550-03941-----	-----550-03941-----
30	Nut, Acorn	-----130-03938-----	-----130-03938-----
31	Case, Top	-----271-08013-----	-----271-08013-----
32	Case, Front	-----271-08577-----	-----271-08577-----
33	Case, Panel, Right	-----271-08017-----	-----271-08017-----
34	Case, Bottom & Back	-----271-08578-----	-----271-08578-----
35	Case, Panel, Left	-----271-08016-----	-----271-08016-----
36	Bracket	-----225-08579-----	-----225-08579-----
37	Case, Barrel, Bottom	-----271-08012-----	-----271-08012-----

Portable Forced Air Heaters

MODELS 304D & CP400A



Portable Forced Air Heaters

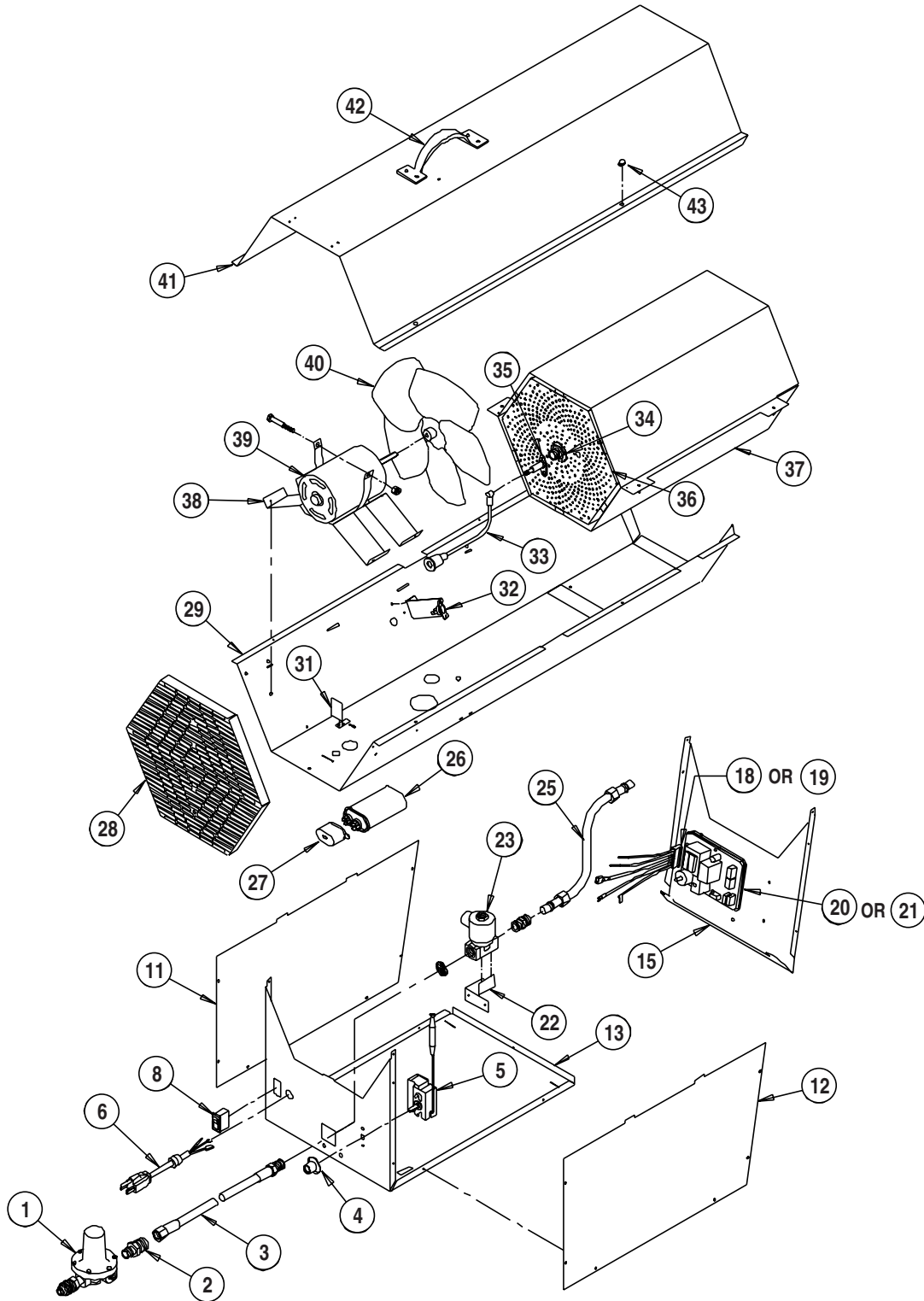


PARTS IDENTIFICATION

Item	Description	Model	
		304D	CP400A
1	Regulator	-----400-08997-----	
2	Adapter, Hose 1/4 NPT x 1/2 NPS	-----310-06771-----	
3	Hose	-----400-20243-----	
4	Adapter, Hose 3/8 NPT x 1/2 NPS	-----310-03536-----	
5	Knob, Thermostat	-----130-04805-----	
6	Power Cord	-----120-05795-----	
7	Switch, On/Off	-----120-03834-----	
8	Thermostat	-----550-05829-----	
9	Control, Ignition	-----550-07324-----	
10	Case Panel, Right Side	-----271-08017-----	
11	Case Panel, Left Side	-----271-08016-----	
12	Air Inlet Guard	-----225-06307-----	
13	Solenoid Valve Assembly (Includes Solenoid Valve Throttle Valve & Piping)	-----400-08023-----	
13A	Ell, Brass	-----130-08011-----	
13B	Valve, Throttle	-----130-06871-----	
13C	Ell, Black Pipe	-----130-01175-----	
13D	Nipple	-----130-02421-----	
13E	Union	-----130-08894-----	
13F	Bracket	-----225-08010-----	
13G	Solenoid Valve	-----400-08022-----	
14	Capacitor	-----120-04720-----	
15	Switch, Air Proving w/ Bracket	-----400-06739-----	
16	Tube, Manifold w/ Compression Nuts	-----550-08029-----	
17	Switch, Backflash w/ Bracket	-----400-06664-----	
18	Wire Igniter	-----120-20409-----	
19	Orifice, Burner w/ Retaining Rings	550-06715	550-20410
20	Igniter	-----500-20312-----	
21	Burner Plate	-----260-06314-----	
22	Combustion Chamber	-----400-08051-----	
23	Motor	-----120-04719-----	
24	Fan	-----130-06697-----	
25	Acorn Nut	-----130-03938-----	
26	Handle	-----550-03941-----	
27	Case, Top	-----271-08013-----	
28	Case, Bottom & Back	-----271-08014-----	
29	Case, Front	-----271-08015-----	
30	Wire Harness	-----120-07028-----	
31	Capacitor Boot	-----120-24938-----	
32	Mount, Motor w/ Bolt	-----260-06717-----	

Portable Forced Air Heaters

MODEL CP400B NON-DIAGNOSTIC



Portable Forced Air Heaters



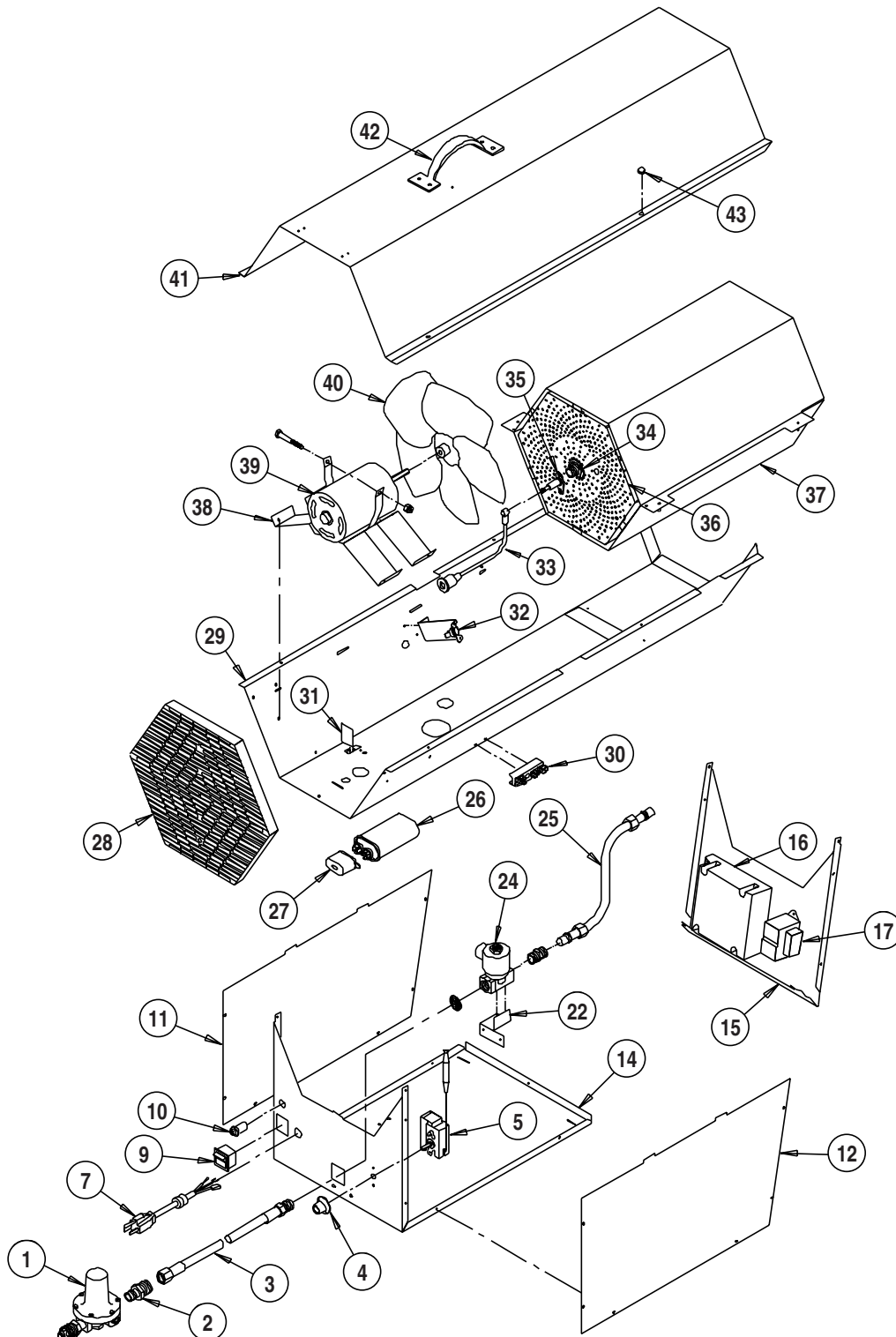
PARTS IDENTIFICATION

Item	Description	Model CP400B Non-Diagnostic
1	Regulator, w/ POL	130-22315
2	Hose Adapter, regulator outlet	310-21997
3	Hose, Fixed X Swivel, 3/8in. x 10 ft	400-21841
	Hose, Fixed x Swivel, 3/8in. x 15 ft. (Canada)	400-22278
4	Thermostat Knob	130-22214
5	Thermostat	120-22213
6	Power Cord	120-05795
8	Switch, On/Off	120-03834
11	Case, Right Side	271-08017
12	Case, Left Side	271-08016
13	Case, Bottom and Back	271-22292
15	Case, Front	271-22291
18	Wire Harness, AGA	120-07028
19	Wire Harness, CGA (Canada)	120-22307
20	Direct Spark Ignition Control, AGA	120-07637
21	Direct Spark Ignition Control, CGA (Canada)	120-22304
22	Bracket, Solenoid Mount	225-22295
23	Solenoid Valve with Screen, 120V	400-08022
25	Tube, Formed Copper	410-22225
26	Capacitor	120-04720
27	Capacitor Boot	120-04938
28	Air Inlet Guard	225-06307
29	Case, Barrel Bottom	271-22290
31	Switch, Air Proving with Bracket	400-22526
32	Switch, Backflash Assembly, Manual Reset	400-22294
33	Wire, Igniter	120-20409
34	Orifice with Retaining Rings	550-20410
35	Igniter with Fasteners	500-20312
36	Burner Plate	240-06314
37	Combustion Chamber (2 required)	260-06311
38	Bracket, Motor Mount with Bolt	550-06717
39	Motor	120-04719
40	Fan	130-22302
41	Case, Top	271-08013
42	Handle	130-03941
43	Nut, Acorn	130-03938

N/A - Not Applicable

Portable Forced Air Heaters

MODEL CP400B DIAGNOSTIC



Portable Forced Air Heaters



PARTS IDENTIFICATION

Item	Description	Model CP400B Diagnostic
1	Regulator, w/ POL	130-22315
2	Hose Adapter, regulator outlet	310-21997
3	Hose, Fixed X Swivel, 3/8in. x 10 ft	400-21841
	Hose, Fixed x Swivel, 3/8in. x 15 ft. (Canada)	400-22278
4	Thermostat Knob	130-22214
5	Thermostat	120-22213
7	Power Cord	400-08961
9	Switch, On/Off	120-08240
10	L.E.D.	120-22299
11	Case, Right Side	271-08017
12	Case, Left Side	271-08016
14	Case, Bottom and Back	271-22293
15	Case, Front	271-22291
16	Direct Spark Ignition Control	120-22301
17	Transformer	120-06979
22	Bracket, Solenoid Mount	225-22295
24	Solenoid Valve with Screen, 24V	400-22313
25	Tube, Formed Copper	410-22225
26	Capacitor	120-04720
27	Capacitor Boot	120-04938
28	Air Inlet Guard	225-06307
29	Case, Barrel Bottom	271-22290
30	Terminal Block	120-22296
31	Switch, Air Proving with Bracket	400-22526
32	Switch, Backflash Assembly, Manual Reset	400-22294
33	Wire, Igniter	120-20409
34	Orifice with Retaining Rings	550-20410
35	Igniter with Fasteners	500-20312
36	Burner Plate	240-06314
37	Combustion Chamber (2 required)	260-06311
38	Bracket, Motor Mount with Bolt	550-06717
39	Motor	120-04719
40	Fan	130-22302
41	Case, Top	271-08013
42	Handle	130-03941
43	Nut, Acorn	130-03938

N/A - Not Applicable

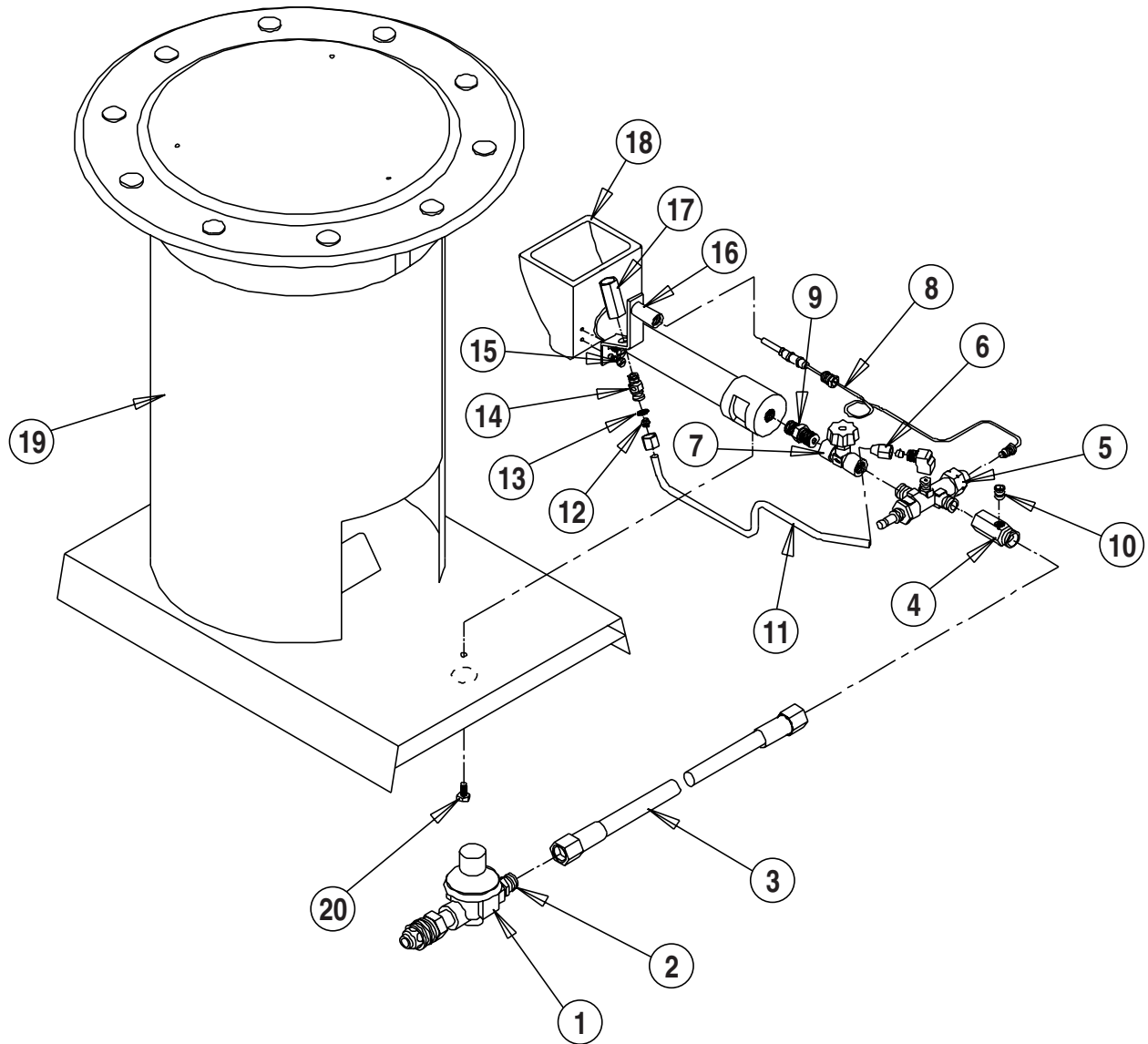


***WORKMAN &
NORSEMAN***

Convection Heaters

Convection Heaters

MODEL 320B



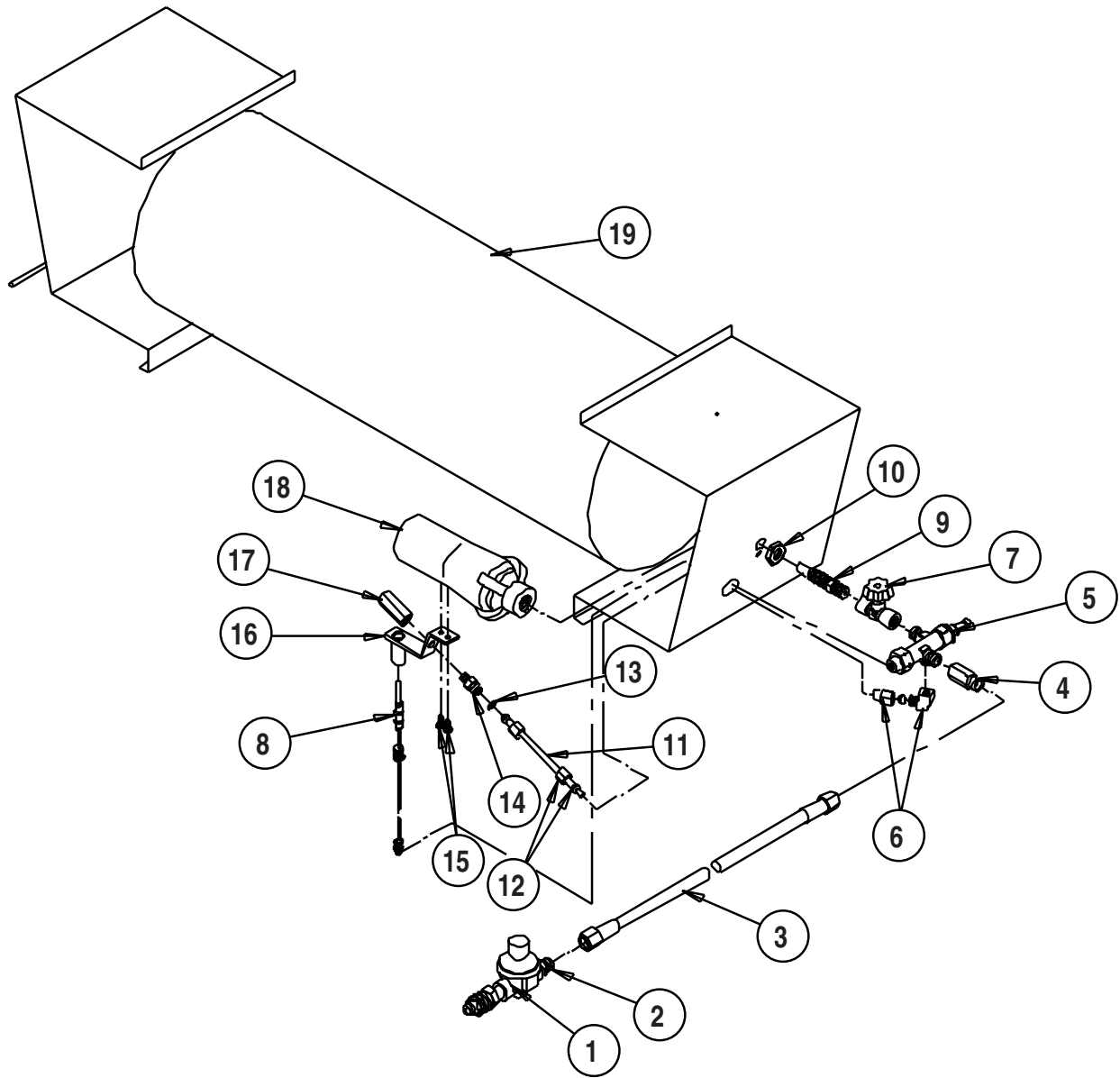
Convection Heaters

PARTS IDENTIFICATION

Item	Description	Model 320B
1	Regulator	130-21788
2	Adapter, Hose	310-01098
3	Hose, 1/4 in. x 10 ft.	400-20242
4	Adapter, Hose, with Pressure Tap Plug	310-22348
5	Valve, Pilot Safety	130-07966
6	Ell w/nut and Sleeve	130-07968
7	Valve, Manual Burner	130-20229
8	Thermocouple	120-01090
9	Orifice Burner	310-22353
10	Plug, Pressure Tap	130-09271
11	Tube, Pilot w/Nuts & Sleeves	550-20529
12	Nut and Sleeve	550-01168
13	Screen	130-01722
14	Orifice, Pilot w/ Screen	400-01230
15	Screw	130-01213
16	Bracket, Pilot	400-03202
17	Head, Pilot	400-01079
18	Burner, Casting	320-03989
19	Case, Assembly w/Labels	500-22357

Convection Heaters

MODEL 322



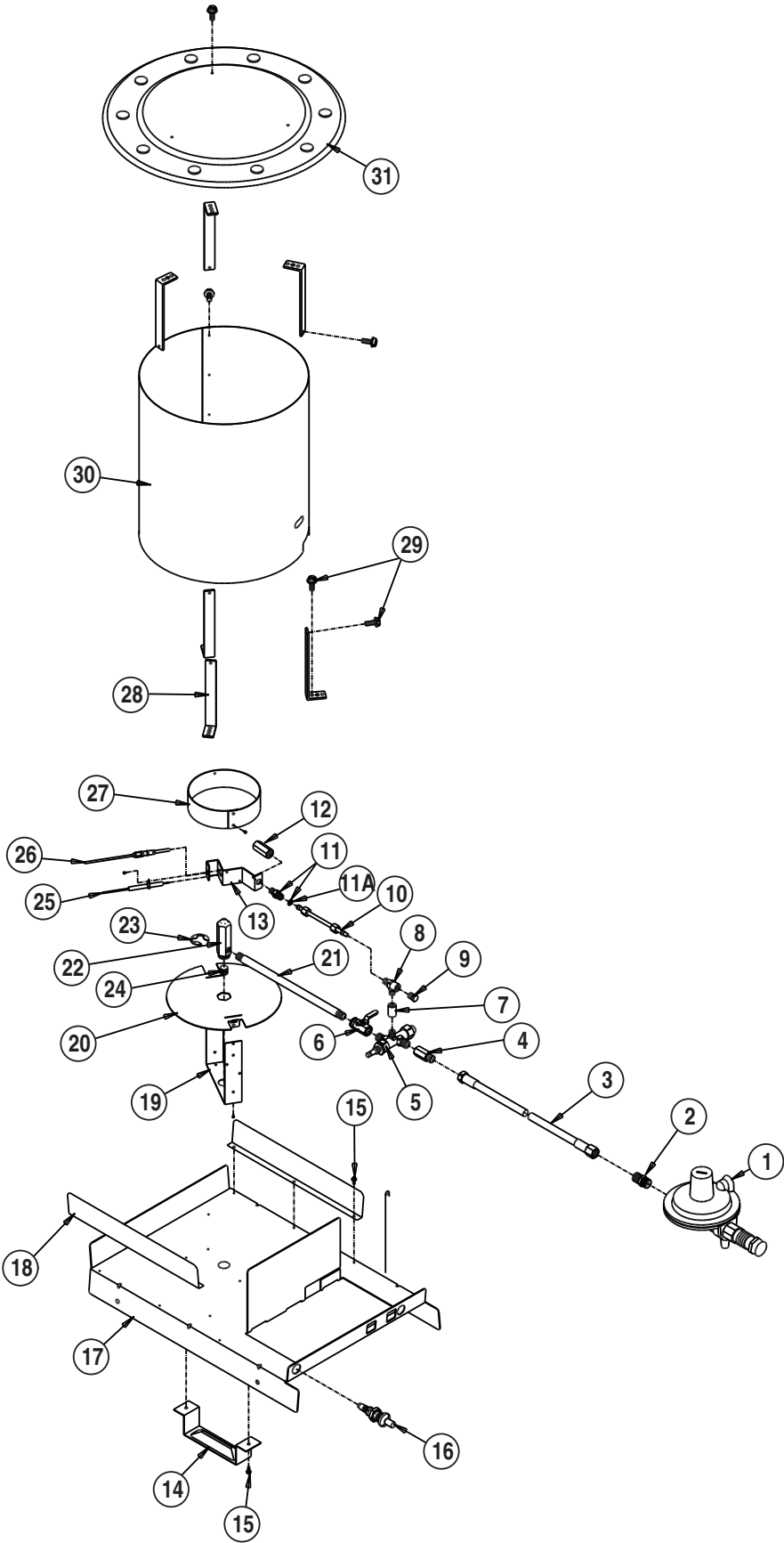
Convection Heaters

PARTS IDENTIFICATION

Item	Description	Model 322
1	Regulator	130-21788
2	Adapter, Hose	310-01098
3	Hose, 1/4 in. x 10 ft.	400-20242
4	Adapter, Hose	310-07970
5	Valve, Pilot Safety	500-20356
6	Ell w/nut and Sleeve	130-07968
7	Valve, Manual Burner	500-20598
8	Thermocouple	120-01090
9	Orifice Burner	310-01591
10	Jam Nut	130-09379
11	Tube, Pilot w/Nuts & Sleeves	550-07073
12	Nut and Sleeve	550-01168
13	Screen	130-01722
14	Orifice, Pilot w/ Screen	400-01230
15	Screw	130-01213
16	Bracket, Pilot	400-03202
17	Head, Pilot	400-01079
18	Burner, Casting	320-01337
19	Case, Assembly w/Labels	500-22337

Convection Heaters

MODELS 340, 340A & CV200



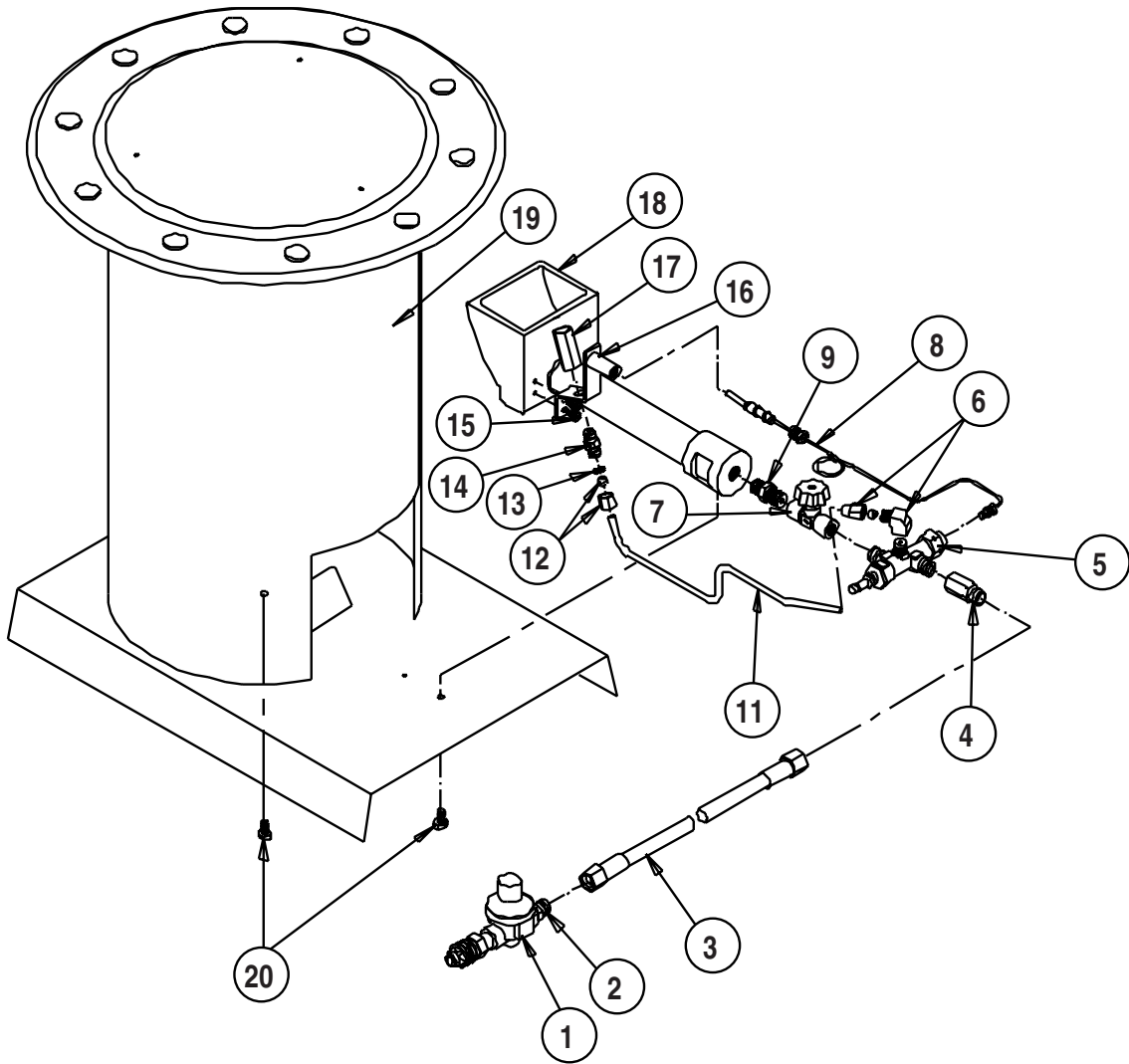
Convection Heaters

PARTS IDENTIFICATION

<u>Item</u>	<u>Description</u>	<u>Model</u>		
		<u>340</u>	<u>340A</u>	<u>CV200</u>
1	Regulator	-----	550-21722-----	
2	Adapter, Hose	-----	310-01098-----	
3	Hose, 1/4 In. x 10 Ft.	-----	550-20703-----	
4	Adapter, Hose	-----	310-07970-----	
5	Valve, Pilot Safety	-----	130-07966-----	
6	Valve, Main Burner	-----	130-07969-----	
7	Coupling	-----	130-02961-----	
8	Tee	-----	130-06550-----	
9	Plug	-----	130-02529-----	
10	Pilot Tube w/ Nuts & Sleeves	-----	500-22587-----	
11	Orifice w/ Screen	-----	400-01230-----	
11A	Screen	-----	130-01722-----	
12	Head, Pilot	-----	310-01079-----	
13	Bracket, Pilot	-----	260-07974-----	
14	Handle	-----	220-02706-----	
15	Screw	-----	130-07288-----	
16	Igniter, Piezo	--	-----120-20280-----	
17	Base	-----	225-07983-----	
18	Shield, Heat	--	--	225-07988
19	Stand	-----	240-07979-----	
20	Shield	-----	220-07980-----	
21	Nipple	-----	130-07062-----	
22	Orifice, Burner	-----	310-07942-----	
23	Ring	-----	130-06699-----	
24	Plug	-----	130-07967-----	
25	Electrode w/ Lead	--	-----120-20280-----	
26	Thermocouple	-----	120-03497-----	
27	Ring, Burner	-----	240-07978-----	
28	Leg	-----	230-07964-----	
29	Screw	-----	130-03027-----	
30	Case, Barrel	-----	225-07963-----	
31	Case, Top	-----	225-03958-----	240-01330

Convection Heaters

MODEL 341



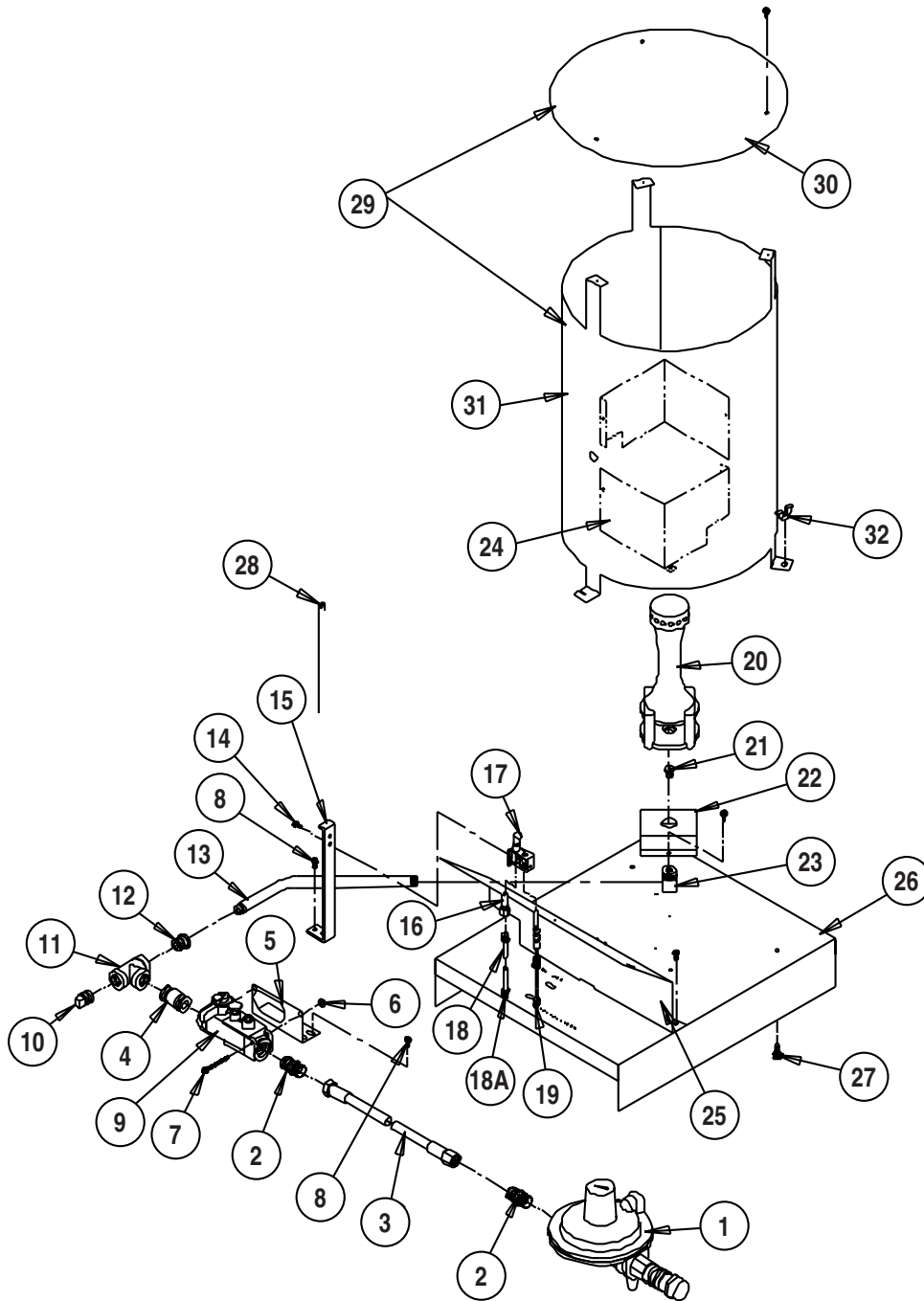
Convection Heaters

PARTS IDENTIFICATION

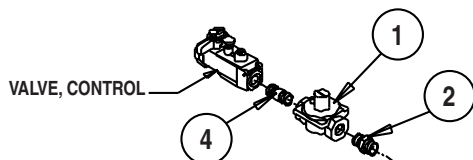
Item	Description	Model 341
1	Regulator	130-21788
2	Adapter, Hose	310-01098
3	Hose, 1/4 in. x 10 ft.	400-20242
4	Adapter, Hose	310-07970
5	Valve, Pilot Safety	500-20356
6	Ell w/nut and Sleeve	130-07968
7	Valve, Manual Burner	500-20598
8	Thermocouple	120-01090
9	Orifice Burner	310-01329
10	Tube, Pilot w/Nuts & Sleeves	550-20529
11	Nut and Sleeve	550-01168
12	Screen	130-01722
13	Orifice, Pilot w/ Screen	400-01230
14	Screw	130-01213
15	Bracket, Pilot	400-03202
16	Head, Pilot	400-01079
17	Burner, Casting	320-03989
18	Case, Assembly w/Labels	500-22338

Convection Heaters

MODELS 380 & 382



INSTALLATION OF GAS TRAIN ASSEMBLY FOR NATURAL GAS ONLY



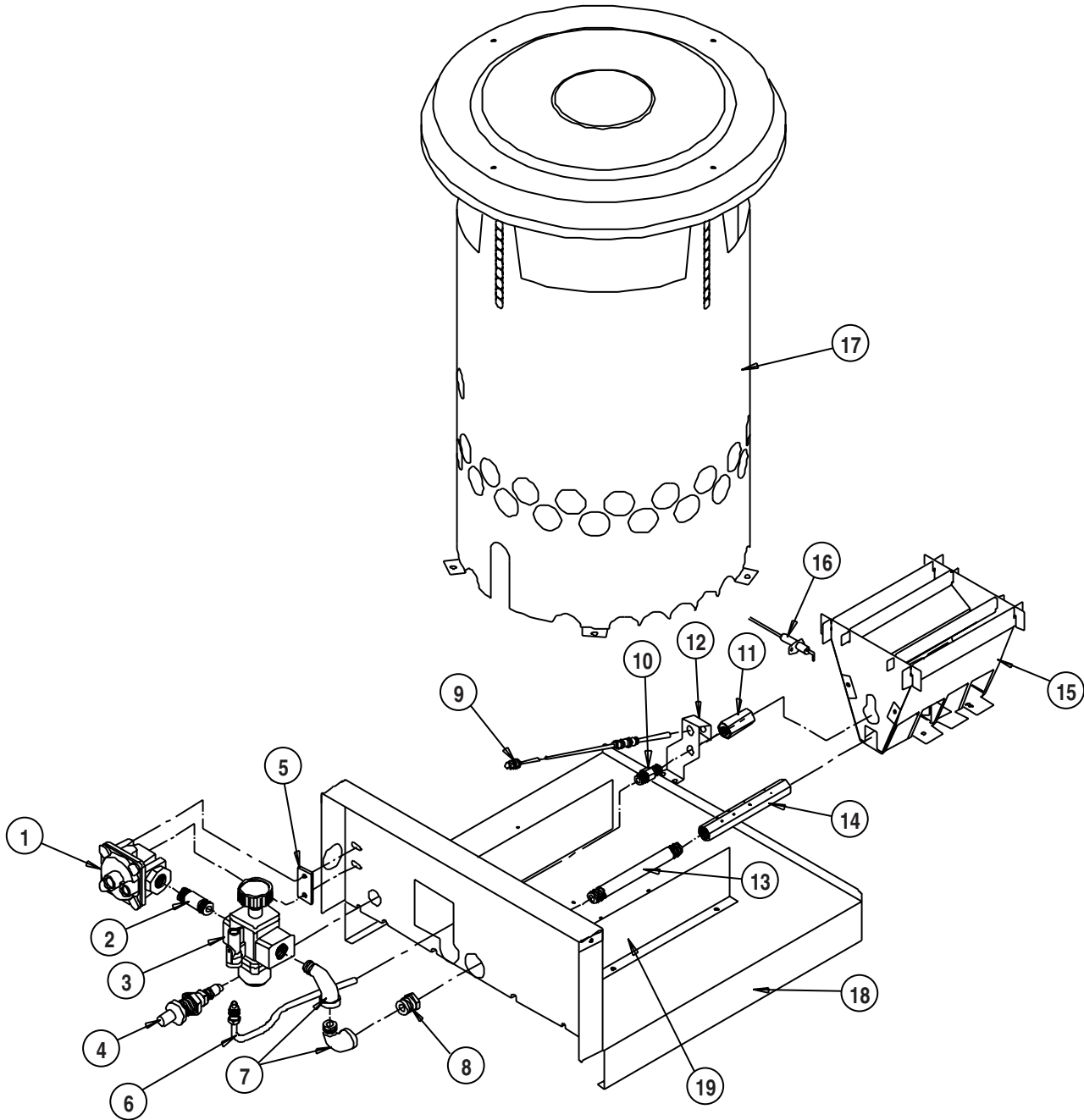
Convection Heaters

PARTS IDENTIFICATION

Item	Description		Model	
			380	382
1	Regulator	L.P. Gas	550-06772	--
		Natural Gas	--	550-01326
2	Adapter, Hose, 3/8 NPT x 1/2 NPS		-----	310-03536-----
3	Hose, 1/2 In. x 10 Ft.		-----	400-20243-----
4	Nipple		--	130-02421
5	Bracket		-----	220-06381-----
6	Nut		-----	130-01310-----
7	Screw		-----	130-07288-----
8	Screw		-----	130-01309-----
9	Valve, Pilot Safety Control		-----	130-01540-----
10	Plug		-----	130-01542-----
11	Tee		-----	130-03119-----
12	Bushing		-----	130-01544-----
13	Pipe, Control to Burner		-----	410-01535-----
14	Screw		-----	130-03421-----
15	Bracket, Pilot Light		-----	230-06387-----
16	Orifice, Pilot	L.P. Gas	130-02689	--
		Natural Gas	--	130-02740
17	Pilot Assembly w/ Orifice	L.P. Gas	130-02729	--
		Natural Gas	--	130-02741
18	Tube, Tinned, Pilot w/ Nuts		-----	550-03034-----
18A	Nut Compression		-----	130-01598-----
19	Thermocouple		-----	120-03497-----
20	Burner		-----	320-01536-----
21	Orifice, Burner	L.P. Gas	310-06237	--
		Natural Gas	--	310-06388
22	Bracket, Torch		-----	220-06234-----
23	Holder, Orifice		-----	310-01539-----
24	Deflector, Wind		-----	260-06229-----
25	Shield		-----	260-06231-----
26	Base		-----	260-06232-----
27	Screw		-----	130-01530-----
28	Holder, Match		-----	410-06230-----
29	Case, Barrel & Top		-----	400-06812-----
30	Case, Top		-----	260-06233-----
31	Case, Barrel		-----	260-06235-----
32	Nut, Wing		-----	130-01531-----

Convection Heaters

MODEL CV100 LOW PRESSURE NATURAL GAS



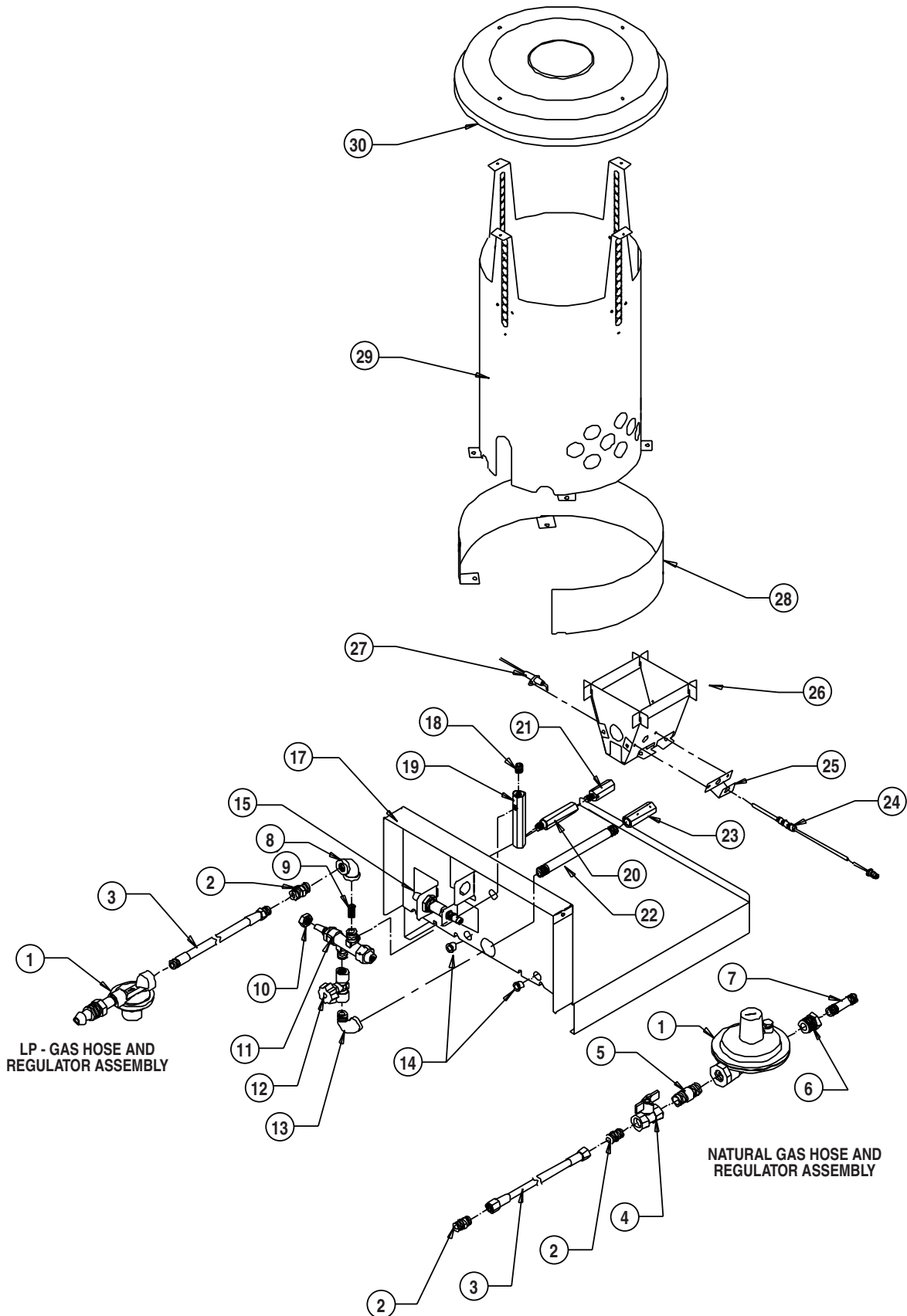
Convection Heaters

PARTS IDENTIFICATION

Item	Description	Model CV100A Low Pressure Natural Gas
1	Regulator, Natural Gas	130-22251
2	Nipple 3/8 in. x 1 1/2 in.	130-02421
3	Valve, Pilot Safety Control	130-22250
4	Igniter w/Nut	120-20280
5	Spacer	230-22298
6	Tube, Pilot w/Nuts and Sleeves	500-22330
7	Ell, 3/8 in.	130-01175
8	Bushing	130-01544
9	Thermocouple	130-03555
10	Orifice, Pilot	310-22260
11	Head, Pilot	400-22258
12	Bracket	225-22257
13	Nipple, 5 in.	F130-80854
14	Orifice, Burner	310-22252
15	Burner, Assembly w/Electrode	400-22244
16	Electrode	120-20184
17	Barrel, Case, w/Top	400-22253
18	Base, Case, w/Labels	500-22329
19	Shield	225-22297
20	Case Assembly, w/Labels (Consisting of Items 17, 18 and 19)	500-22334

Convection Heaters

MODELS CV100 & CV250



Convection Heaters

PARTS IDENTIFICATION

Item	Description	Model	
		CV100	CV250
1	Regulator (LP Gas)	-----550-21722-----	
	Regulator (Natural Gas)	-----400-20218-----	
2	Adapter, Hose, 1/4 NPT x 9/16-18 (LP Gas)	-----310-01098-----	
	Adapter, Hose, 1/2 NPT x 1/2 NPS (Natural Gas)	-----310-02894*-----	
3	Hose, 1/4 in. x 10 ft. (LP Gas)	-----400-20496-----	
	Hose, 1/2 in. x 10 ft. (Natural Gas)	-----400-20243*-----	
4	Valve, Manual Shut Off (Natural Gas)	-----130-05548-----	
5	Nipple, 1/2 in. x 1 1/2 in. (Natural Gas)	-----130-02420-----	
6	Bushing, 1/2 in. x 1/4 in. (Natural Gas)	-----130-01519-----	
7	Nipple, 1/4 in. x 2 in. (Natural Gas)	-----130-03071-----	
8	Ell	-----130-01300-----	
9	Screen, Inlet	-----130-20391-----	
10	Nut, Jam	-----310-20185-----	
11	Valve, Pilot Safety	-----130-07966-----	
12	Valve, Main Burner	-----130-20229-----	
	Valve, Main Burner (CV250 Natural Gas)	-----130-09698-----	
13	Ell, Street, 1/4 NPT	-----130-01425-----	
14	Bushing	-----120-04817-----	
15	Igniter, Piezo	-----120-20280-----	
17	Base - CV100	225-20202	--
	Base - CV250	--	225-20203
18	Plug, 1/8 NPT	-----130-09271-----	
19	Connector, Pilot Line, Gas Control Outlet	-----310-20454-----	
20	Connector, Pilot Line for Pilot Head, Inlet	-----310-20455-----	
21	Orifice, Pilot (LP-Gas)	-----400-20212-----	
	Orifice, Pilot (Natural Gas)	-----400-20213-----	
22	Manifold, 1/4 NPT x 6 in.	-----130-20228-----	
23	Orifice, Burner - CV100 (LP Gas)	310-20187	--
	Orifice, Burner - CV100 (Natural Gas)	310-20186	--
	Orifice, Burner - CV250 (LP Gas)	--	310-20189
	Orifice, Burner - CV250 (Natural Gas)	--	310-20188
24	Thermocouple, 18 in.	-----120-03555-----	
25	Bracket, Thermocouple	-----240-20194-----	
26	Burner - CV100	400-20206	--
	Burner - CV250	--	400-20231
27	Electrode with Wire (Piezo)	-----120-20184-----	
28	Ring, Heat Shield - CV100 AGA Certified Models	225-20305	--
	Ring, Heat Shield - CV250 AGA Certified Models	--	225-20255
29	Barrel - CV100	410-20210	--
	Barrel - CV250	--	410-20230
30	Top - CV100	225-20078	--
	Top - CV250	--	225-20064

Miscellaneous Components (Not Illustrated)	
Description	Part Number
Screw, #8 x 3/8	130-07288

* Optional Accessories for Natural Gas Units

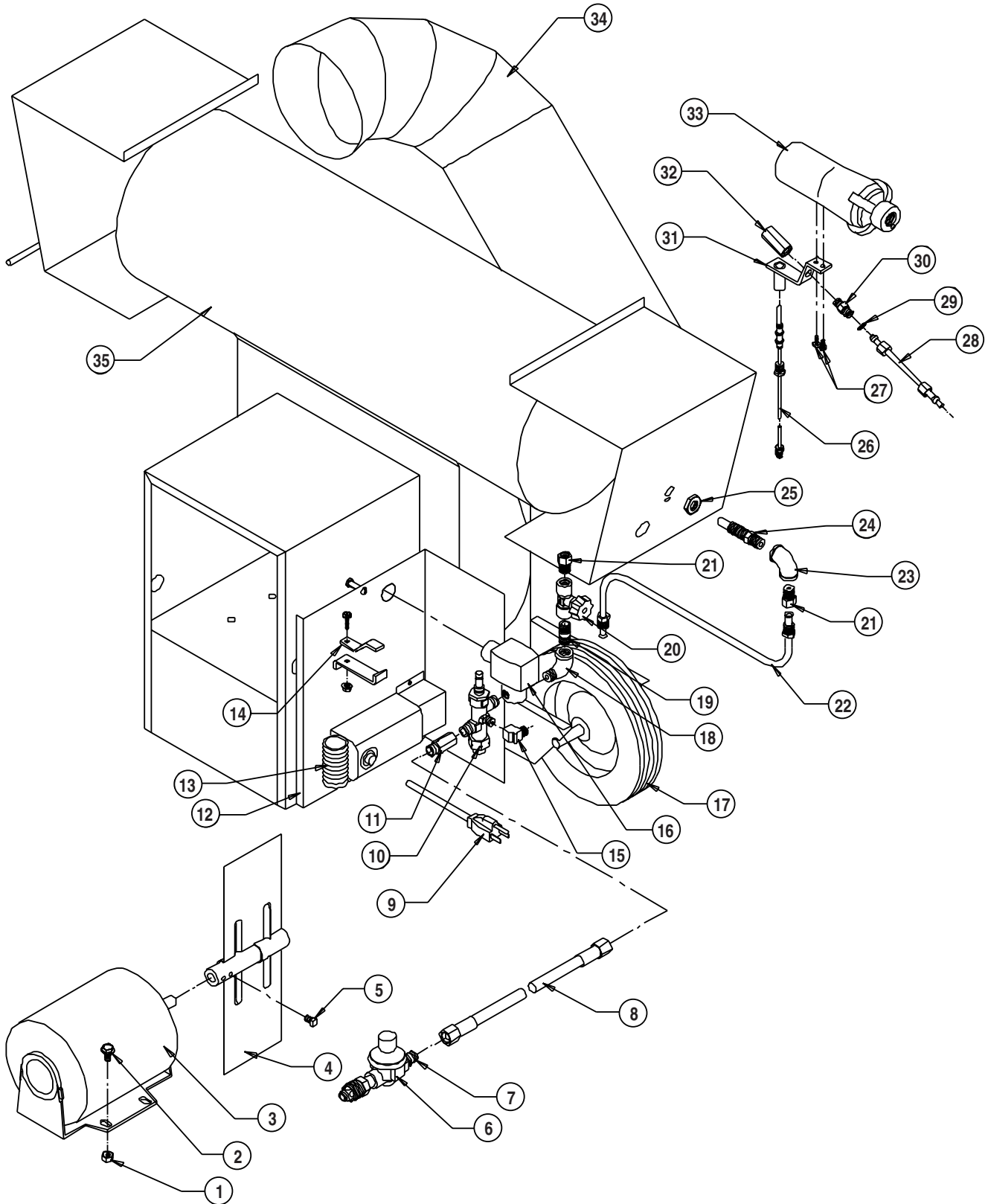
NOTE: The complete barrel assembly may be ordered. Order part #500-20211 for CV100 and #500-20235 for CV250. The barrel assembly consists of items 29 and 30.



***JET, TWIN JET &
BIG BERTHA
Circulating Heaters***

Circulating Construction Heaters

MODELS 324, 326, 328 & 330



Circulating Construction Heaters

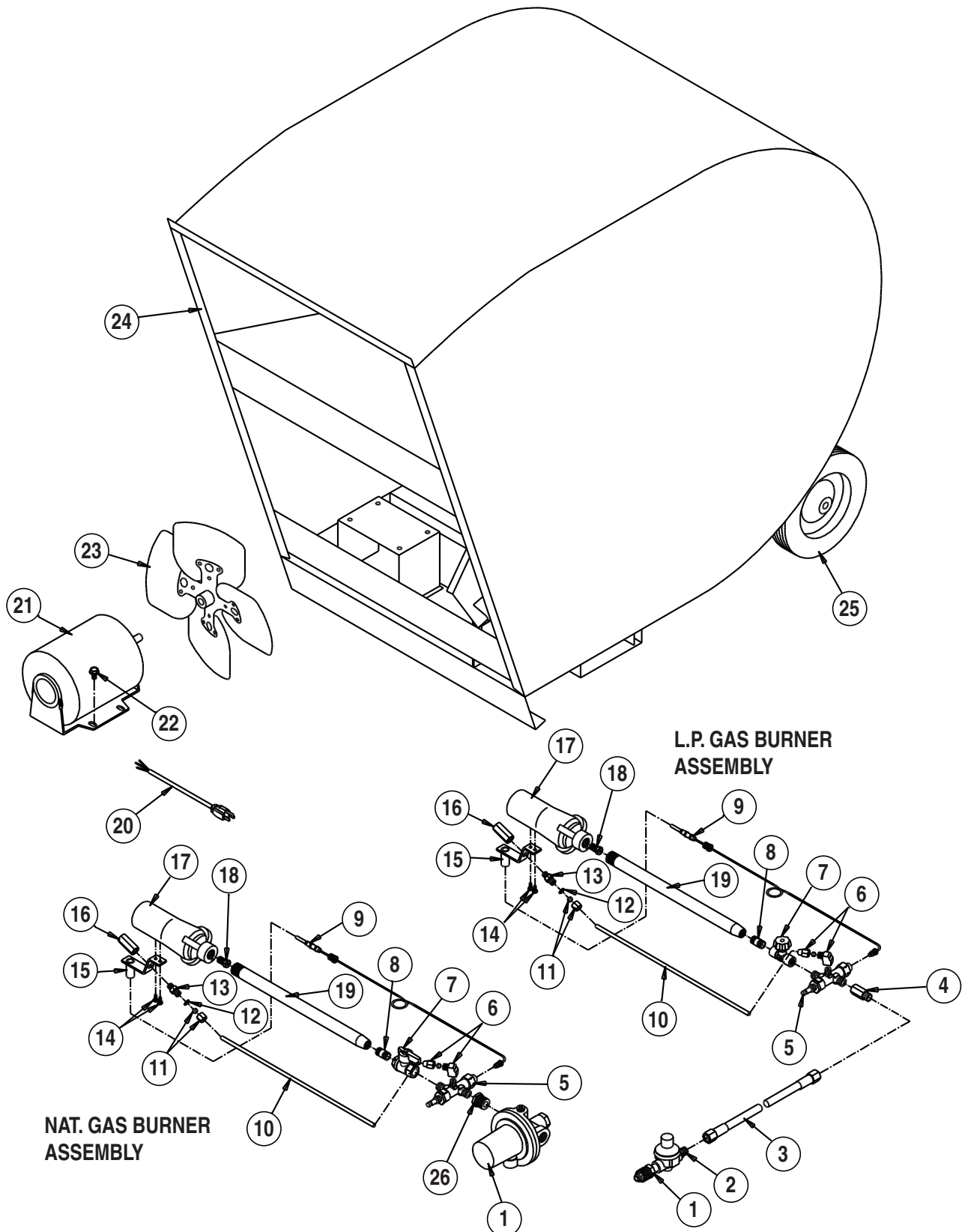
PARTS IDENTIFICATION

Item	Description	Models			
		324	326	328	330
1	Nut			130-01237	
2	Screw			130-02747	
3	Motor			550-07181	
4	Fan			420-01227	
5	Set Screw			130-01235	
6	Regulator			550-21788	
7	Adapter, Hose			310-01098	
8	Hose, 1/4 in. ID x 10ft.		550-20720		400-20242
9	Cord, Power	120-04645	120-07040	120-04654	120-07040
10	Pilot Safety Control Valve Kit			500-20356	
11	Adapter			310-07970	
12	Panel	N/A	230-02693	N/A	230-02693
13	Thermostat			500-06537	
14	Bracket	N/A	230-02063	N/A	230-02063
15	Elbow	N/A	130-07968	N/A	130-07968
16	Valve, Solenoid	N/A	120-02990	N/A	120-02990
17	Wheel			130-01099	
18	Elbow	N/A	130-01300	N/A	130-01300
19	Nipple	N/A	130-01142	N/A	130-01142
20	Manual Valve Kit			500-20598	
21	Connector	N/A	130-04648	N/A	130-04648
22	Tube w/Nuts	N/A	500-20406	N/A	500-20406
23	Elbow	N/A	130-01300	N/A	130-01300
24	Orifice, Burner		310-01591		310-03415
25	Nut, Jam			130-09379	
26	Thermocouple	120-01090	120-01020	120-01090	120-01020
27	Screw			130-01213	
28	Tubing, Pilot w/Nuts	550-07073	550-07075	550-07076	550-07075
29	Screen, Pilot			130-01722	
30	Orifice, Pilot (w/Screen)			400-01230	
31	Bracket, Pilot			400-03202	
32	Head, Pilot			310-01079	
33	Burner		320-01337		320-01228
34	Duct		400-01334	N/A	N/A
35	Case Assembly w/Labels	500-22339	500-22340	500-22341	500-22342

N/A - Not Applicable

Circulating Construction Heaters

MODELS 334 & 336



Circulating Construction Heaters

PARTS IDENTIFICATION

Item	Description	Model		
		334	336	
1	Regulator	L.P. Gas	130-21788	--
		Nat. Gas	--	400-01104
2	Adaptor, Hose		310-01098	--
3	Hose 1/4 in. x 10 ft.		550-22129	--
	1/2 in. x 10 ft.		--	550-20704*
4	Adaptor, Hose		310-07970	--
5	Pilot Safety Control Valve Kit		-----500-20356-----	
6	Ell, w/ Nut & Sleeve		-----130-07968-----	
7	Valve, Manual		130-20229	130-09698
8	Nipple		-----130-01142-----	
9	Thermocouple	30 in.	120-01020	--
		36 in.	--	120-03066
10	Pilot Tube w/ Nuts & Sleeves		-----550-07075-----	
11	Nut & Sleeve		-----550-01168-----	
12	Screen		-----130-01722-----	
13	Orifice, Pilot		400-01230	310-01520
14	Screws		-----130-01213-----	
15	Bracket, Pilot		-----400-03202-----	
16	Head, Pilot		-----310-01079-----	
17	Burner		-----320-01014-----	
18	Orifice, Burner		310-03416	310-01081
19	Handle		-----330-01018-----	
20	Cord, Power		-----120-04645-----	
21	Motor, 1/4 H.P.		-----550-07181-----	
22	Bolt		-----130-02747-----	
23	Fan		-----130-01342-----	
24	Case Assembly w/ Labels		500-22513	500-22514
25	Wheel		-----130-01099-----	
26	Bushing		--	130-01519

* Optional Accessory

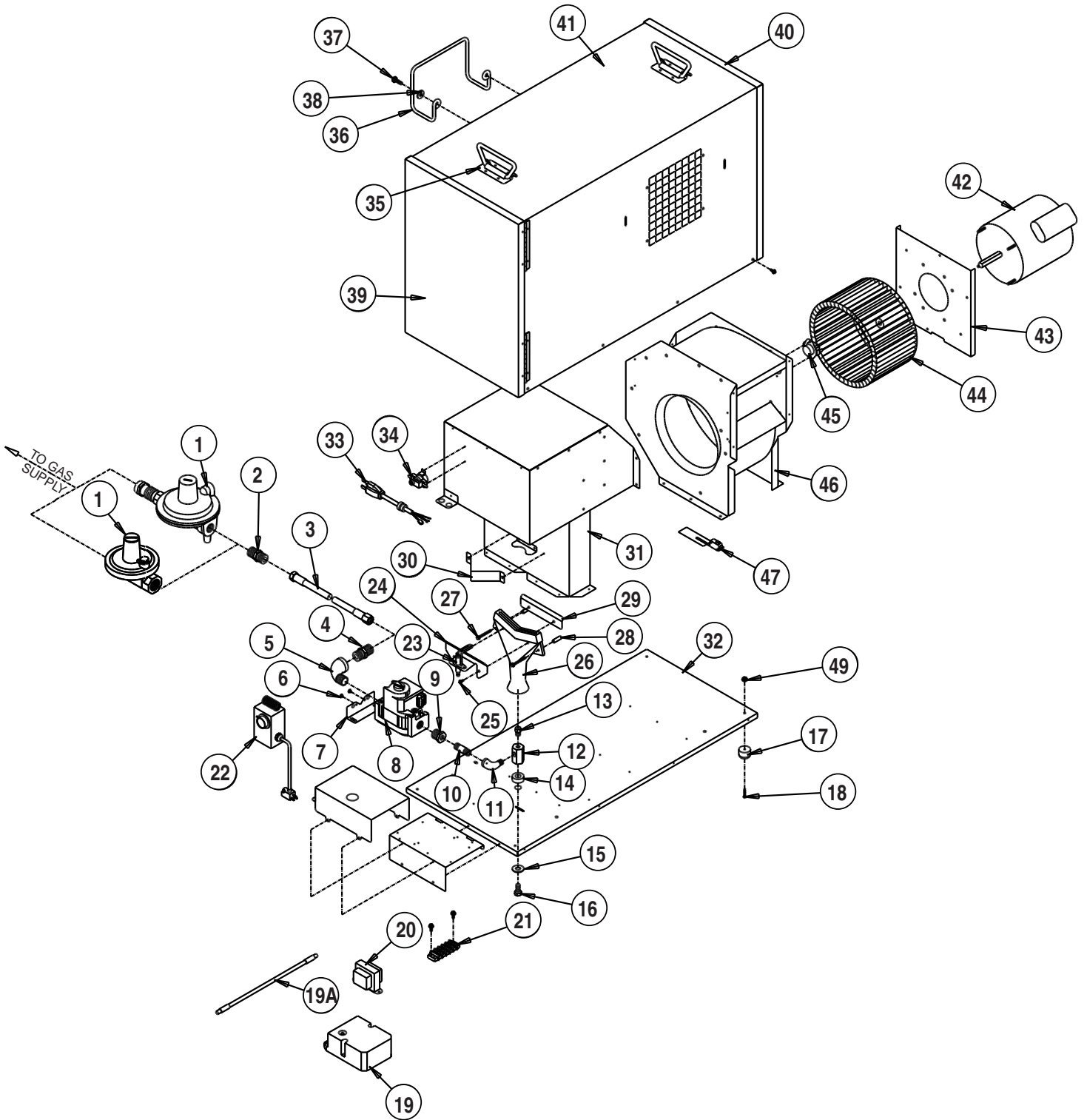


FOREMAN

Portable Unit Heaters

Portable Unit Heaters

MODEL CS080



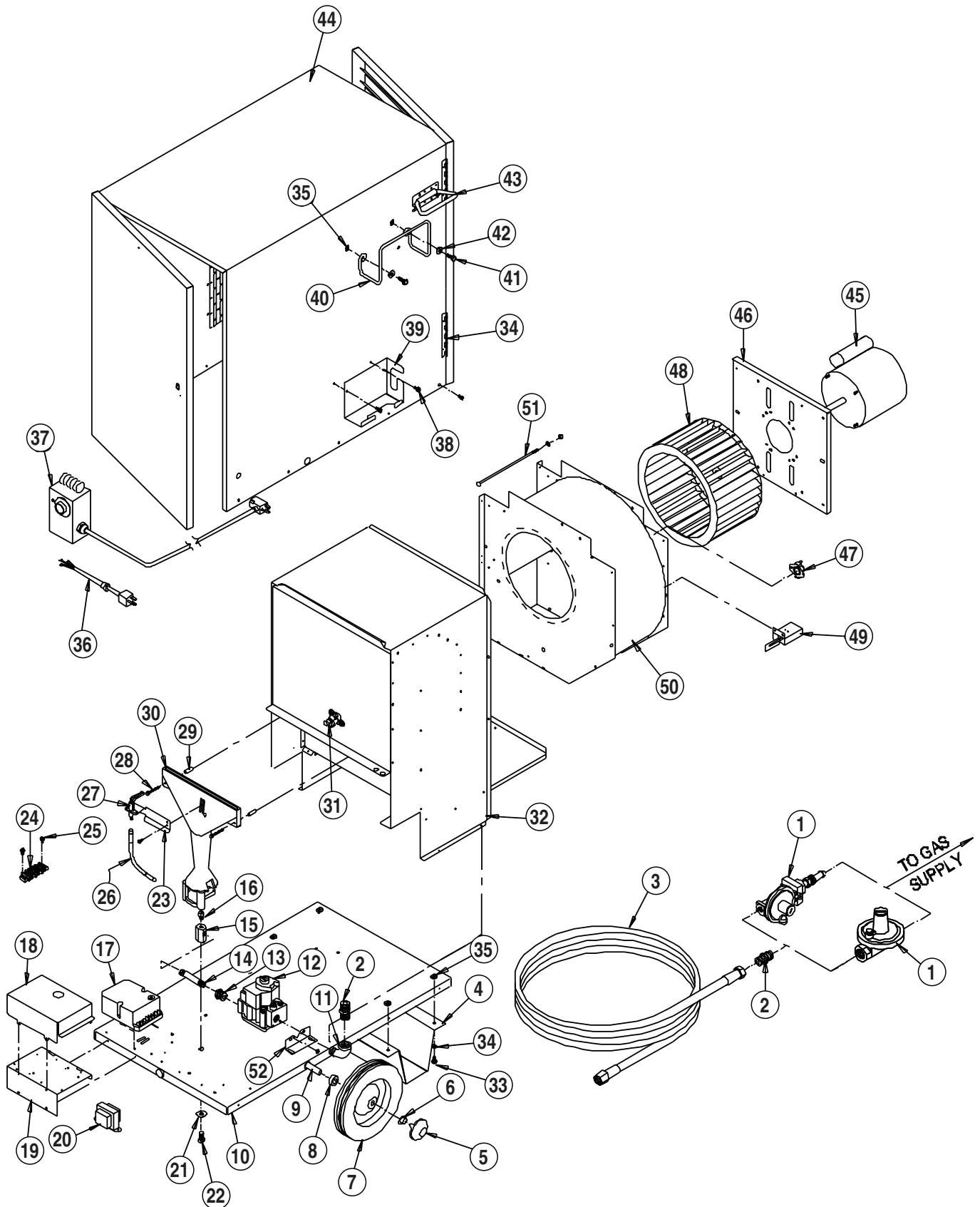
Portable Unit Heaters

PARTS IDENTIFICATION

Item	Description	Design Sequence			Model CS080	
		C	D	E		
1	Regulator	L.P. Gas	X	X	X	400-08990
		Natural Gas	X	X	X	500-21999
2	Adapter, 3/8 NPT x 1/2 NPS,	L.P. Gas	X	X	X	310-06655
3	Hose, 1/2 In. ID x 10 Ft, with Adapters	L.P. Gas	X	X	X	550-20531
		Natural Gas	X	X	X	550-20704
4	Adapter, 1/2 NPT x 1/2 NPS		X	X	X	310-02894
5	Ell		X	X	X	130-09309
6	Screw		X	X	X	130-09425
7	Bracket		X	X	X	225-09760
8	Valve, Gas Control	L.P. Gas	X	X	X	120-09368
		Natural Gas	X	X	X	120-09428
9	Bushing		X	X	X	130-01519
10	Nipple		X	X	X	130-02453
11	Ell		X	X	X	130-01425
12	Holder, Orifice		X	X	X	310-09759
13	Orifice, Burner	L.P. Gas	X	X	X	310-09753
		Natural Gas	X	X	X	310-09754
14	Spacer, Burner		X	X	X	130-07905
15	Washer		X	X	X	130-01589
16	Bolt		X	X	X	130-02692
17	Bumper		X	X	X	130-08932
18	Screw		X	X	X	130-08944
19	Control Ignition		X	X	X	120-08810
19A	Wire, Ignition Control		X	X	X	120-09348
20	Transformer		X	X	X	120-08922
21	Terminal Strip		X	X	X	120-08253
22	Thermostat Kit		X	X	X	500-09454
23	Igniter		X	X	X	410-06479
24	Bracket		X	X	X	260-08906
25	Screw		X	X	X	130-01213
26	Burner		X	X	X	410-06479
27	Screw		X	X	X	130-02688
28	Spacer		X	X	X	130-02687
29	Bracket Flame Arrestor		X	X	X	260-08942
30	Bracket, Burner		X	X	X	220-08933
31	Chamber, Heat		X	X	X	400-08952
32	Base		X	X	X	225-08909
33	Cord, Power		X	X	X	120-09139
34	Switch, High Limit, Burner End (275 F)		X	X	X	120-03933
35	Handle		X	X	X	130-08534
36	Hanger, Hose		X	X	X	130-08936
37	Bolt		X	X	X	130-11254
38	Washer		X	X	X	130-03054
39	Case Access Panel, Burner End		X	X	X	225-08917
40	Case Access Panel, Motor End		X	X	X	225-08916
41	Case Assembly w/ Access Panels		X	X	X	400-09970
42	Motor		X	X	N/A	120-08920
			N/A	N/A	X	120-20292
43	Mount, Motor		X	X	X	220-08146
44	Fan		X	X	X	130-03531
45	Switch, High Limit (250 F)		X	X	X	120-09821
46	Housing Fan w/ Motor, Fan & High Limit Switch		X	X	N/A	400-09961
			N/A	N/A	X	400-22067
47	Switch, Air Proving w/ Bracket		N/A	N/A	X	400-21186

Portable Unit Heaters

MODEL CS170



Portable Unit Heaters

PARTS IDENTIFICATION

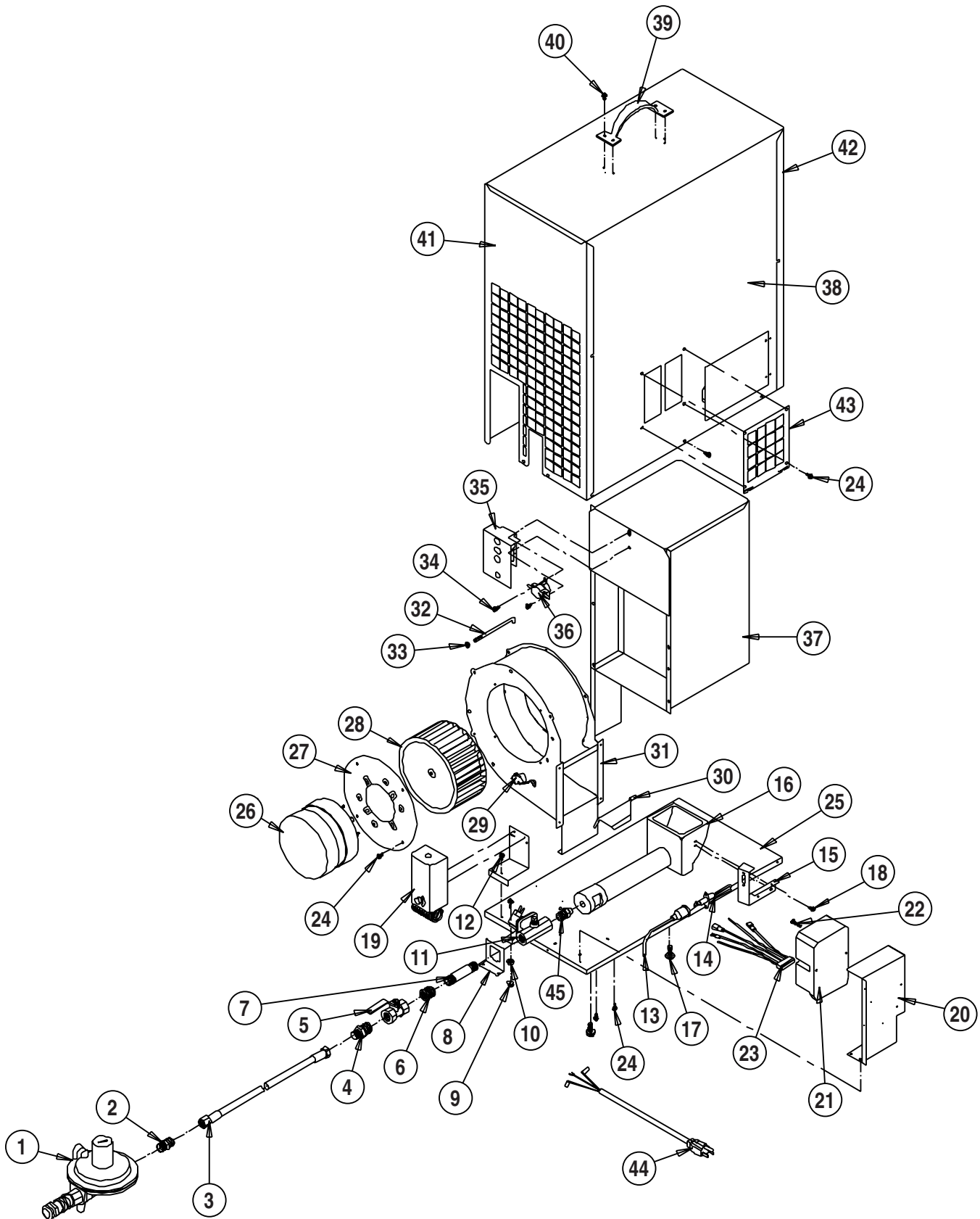
Item	Description	Design Sequence		Part Number	
		C	D		
1	Regulator	L.P. Gas	X	X	400-09911
		Natural Gas	X	X	400-09795
2	Adapter, Hose 1/2 NPT x 1/2 NPS,		X	X	310-02894
3	Hose, 1/2 In.x 10 Ft		X	X	550-20704
4	Kit, Leg Bracket		X	X	500-20960
5	Cap, Hub		X	X	130-07187
6	Retaining Cap		X	X	130-01095
7	Wheel		X	X	130-09160
8	Spacer		X	X	130-07905
9	Axle		X	X	330-06421
10	Base		X	X	225-09150
11	Ell		X	X	130-09309
12	Valve, Gas Control	L.P. Gas	X	X	120-09368
		Natural Gas	X	X	120-09428
13	Bushing		X	X	130-01519
14	Nipple		X	X	130-03115
15	Holder, Orifice		X	X	310-09759
16	Orifice, Burner	L.P. Gas	X	X	310-09786
		Natural Gas	X	X	310-09787
17	Control Ignition		X	X	120-08810
18	Cover		X	X	225-08964
19	Bracket		X	X	225-08963
20	Transformer		X	X	120-08922
21	Washer		X	X	130-01589
22	Bolt		X	X	130-02692
23	Bracket, Igniter		X	X	260-09783
24	Terminal Strip		X	X	120-08253
25	Screw		X	X	130-02330
26	Wire, Igniter		X	X	120-09348
27	Igniter		X	X	410-06479
28	Screw		X	X	130-02688
29	Spacer		X	X	130-02687
30	Burner		X	X	320-03453
31	Switch, High Limit		X	X	120-03933
	Burner End (275 F)				
32	Chamber, Heat		X	X	400-09133
33	Bolt		X	X	L130-11267
34	Washer		X	X	130-02513
35	Cage Nut		X	X	130-07708
36	Cord, Power		X	X	120-09917
37	Thermostat Kit w/ 20 Ft. Cord		X	X	500-21790
38	Screw		X	X	130-07288
39	Bracket, Regulator Storage		X	X	225-09919
40	Hanger, Hose		X	X	130-08936
41	Bolt		X	X	130-11254
42	Washer		X	X	130-03054
43	Handle		X	X	130-08534
44	Case, Assembly		X	X	400-09927
45	Motor		X	X	120-20169
46	Mount, Motor		X	X	225-08647
47	Switch, High Limit, Motor		X	X	120-09784
	End (190 F)				
48	Fan		X	X	130-09050
49	Switch, Air Proving		X	X	400-09925
50	Housing Fan		X	X	400-09789
	w/ Motor, Fan, High Limit & Air Proving Switches				
51	Bolt, 7 1/2 In.		X	X	130-09239
52	Bracket, Gas Control		X	X	225-09760



PREMIER SERIES
and Other Unit Heaters

Tent Heaters

MODELS 286A & 286B



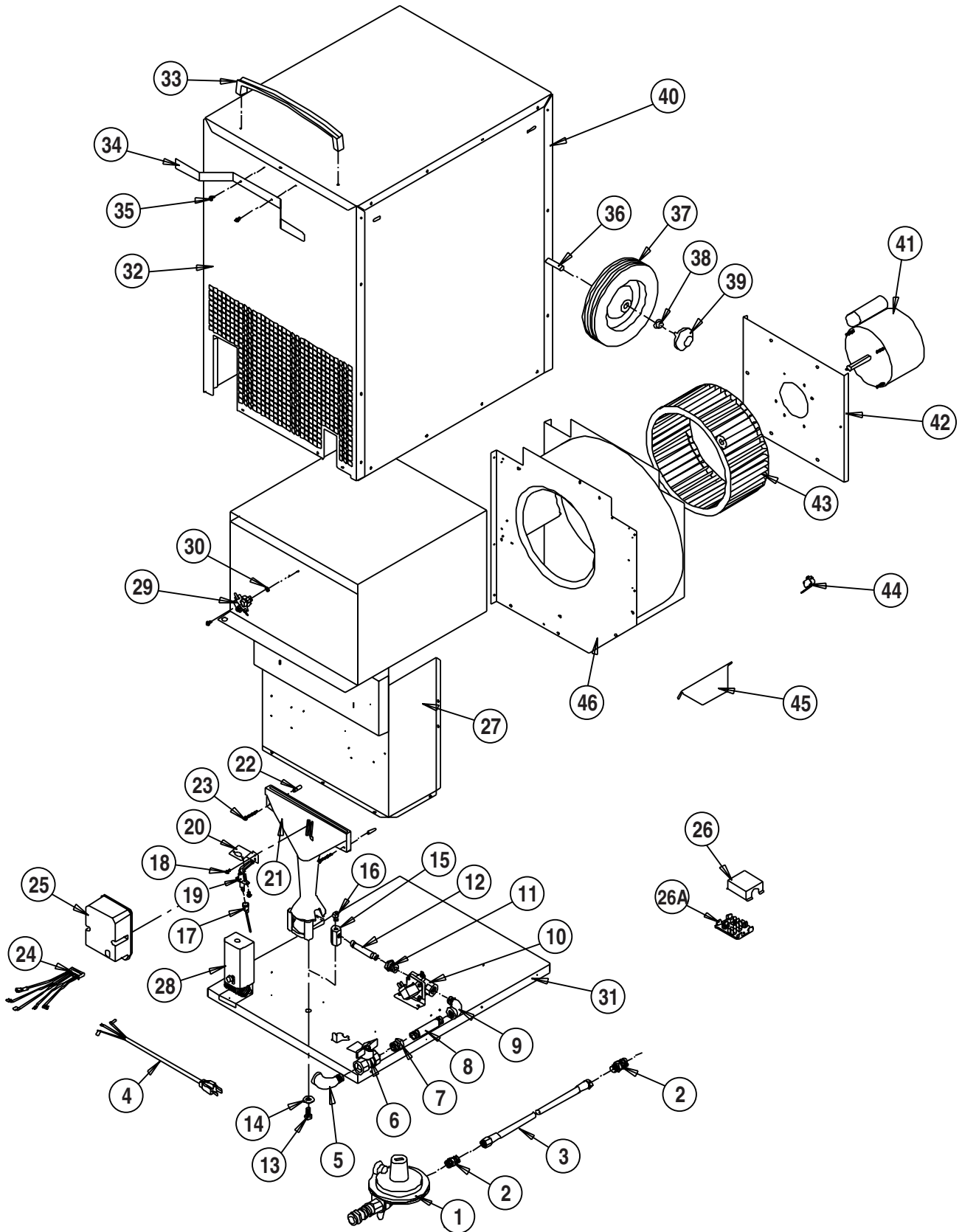
Unit Heaters

PARTS IDENTIFICATION

Item	Description	Models	
		286A	286B
1	Regulator	550-06772	
2	Adapter, 3/8 NPT x 1/2 NPS	310-03536	
3	Hose, 1/2 In. x 10 Ft.	400-20243	
4	Adapter, 1/2 NPT x 1/2 NPS	310-02894	
5	Valve, Manual Shut-Off	130-05548	
6	Bushing	130-01195	
7	Nipple	130-03122	
8	Bracket	220-06487	
9	Nut	130-03103	
10	Washer	130-05551	
11	Valve Gas Control	410-05547	
12	Screw	130-05552	
13	Wire Igniter	120-06613	
14	Ignitor	410-06479	
15	Bracket Ignitor	220-06478	
16	Burner	320-08026	
17	Screw	130-08029	
18	Screw	130-08052	
19	Thermostat w/ Bracket	500-05568	
20	Bracket, Ignition Control	220-06473	
21	Control, Ignition	550-07324	
22	Screw	130-02330	
23	Harness, Wiring	120-07027	
24	Screw	130-07288	
25	Base	220-07466	
26	Motor	550-07487	
27	Plate, Motor Mounting	220-05490	
28	Fan	130-02808	
29	Switch, Air Proving	410-05550	
30	Sail, Flapper	240-05559	
31	Housing	500-05575	
32	Bolt	130-03500	
33	Nut	130-03499	
34	Screw	130-06658	
35	Cover, High Limit	220-05567	
36	Switch, High Limit	120-07264	120-05566
37	Chamber, Heat	420-07767	
38	Case Assembly	400-07749	
39	Handle	550-03941	
40	Screw	130-03973	
41	Panel, Left	270-07751	
42	Panel, Right	270-07331	
43	Guard, Fan Outlet	220-06477	
44	Cord, Power	120-01220	
45	Orifice, Burner	310-05560	

Tent Heaters

MODELS 290A & 290B



Unit Heaters

PARTS IDENTIFICATION

Item	Description	Models	
		290A	290B
1	Regulator, L.P. Gas	400-09911	
2	Adapter, Hose	310-02894	
3	Hose, 1/2 In. x 10 Ft.	550-20704	
4	Cord, Power	120-03438	
5	EII	130-01359	
6	Valve, Manual Shut Off	130-05548	
7	Bushing	130-01195	
8	Nipple	130-03123	
9	EII	130-01175	
10	Valve, Gas Control	410-05547	
11	Bushing	130-01544	
12	Nipple	130-03114	
13	Bolt	130-02692	
14	Washer	130-01589	
15	Holder, Orifice	310-02690	
16	Orifice, Burner	310-02691	
17	Wire, Igniter	120-09348	
18	Screw	130-07288	
19	Ignitor	410-06479	
20	Bracket, Ignitor	260-06524	
21	Burner	320-03453	
22	Spacer	130-02687	
23	Screw, Burner	130-02688	
24	Harness, Wire	120-06540	
25	Control, Ignition	550-07324	
26	Cover, Terminal Box	500-02686	
26A	Board, Terminal	120-20171	
27	Chamber, Heat	420-02667	
28	Thermostat w/ Bracket	500-05568	
29	Switch, High Limit	120-07264	120-05566
30	Spacer	130-02725	
31	Base	220-05577	
32	Case, Panel, Burner End	270-05910	
33	Handle	130-06526	
34	Bracket, Hose	410-06423	
35	Screw	130-06416	
36	Axle	330-06421	
37	Wheel	130-09160	
38	Pal Nut	130-01095	
39	Cap	130-07178	
40	Case, Panel, Motor End	270-05906	
41	Motor	550-20554	
42	Bracket, Motor Mount	220-03764	
43	Fan	130-02684	
44	Switch, Air Proving	500-02680	
45	Sail, Flapper	240-02441	
46	Housing, Fan w/ Sail & Air Proving Switch	500-05570	

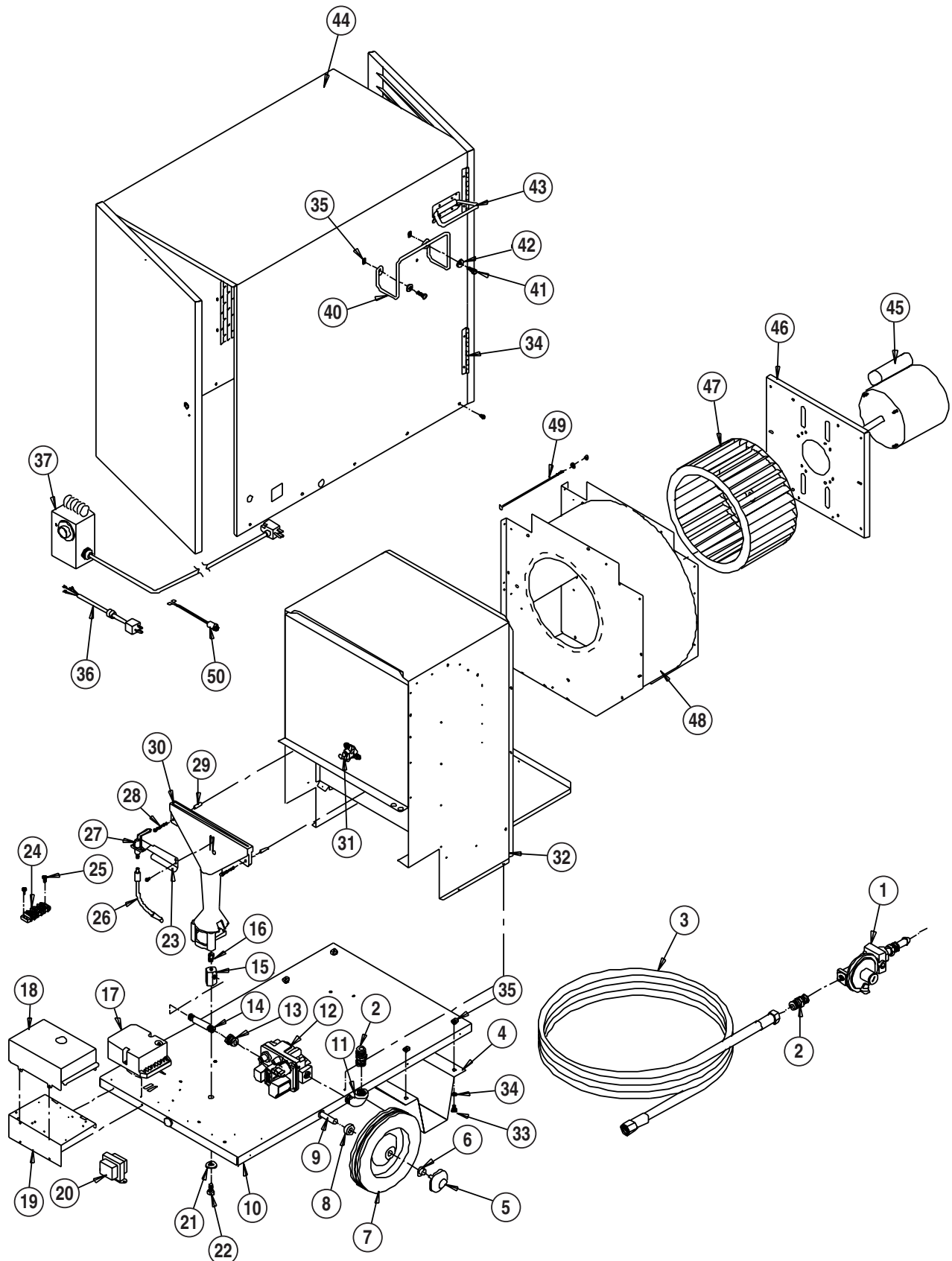
Unit Heaters

PARTS IDENTIFICATION

Item	Description	Design Sequence		Model CT080
		A	B	
1	Regulator, L.P. Gas	X	X	400-08990
2	Adapter, 3/8 NPT x 1/2 NPS	X	X	310-06655
3	Hose, 1/2 In. ID x 10 Ft, with Adapters.	X	X	550-20531
4	Adapter, 1/2 NPT x 1/2 NPS	X	X	310-02894
5	EII	X	X	130-01426
6	Valve, Gas Control	X	X	550-06071
7	Bushing, Reducing	X	X	130-01519
8	Nipple	X	X	130-02453
9	EII	X	X	130-01425
10	Holder, Orifice	X	X	310-02690
11	Orifice, Burner	X	X	310-08918
12	Spacer	X	X	130-07905
13	Washer	X	X	130-01589
14	Bolt	X	X	130-02692
15	Control, Ignition	X	X	120-08810
16	Terminal Strip	X	X	120-08253
17	Screw	X	X	130-02330
18	Thermostat Kit, with 20 Ft. Cord	X	X	500-21790
19	Transformer	X	X	120-08922
20	Bracket, Igniter	X	X	260-08906
21	Screw	X	X	130-01213
22	Igniter	X	X	410-06479
23	Burner Casting	X	X	230-08921
24	Bracket, Flame Arrestor	X	X	260-08942
25	Bracket, Burner Casting	X	X	220-08933
26	Chamber, Heat	X	X	400-08952
27	Base	X	X	225-08909
28	Bumper	X	X	130-08932
29	Screw	X	X	130-08944
30	Cord, Power	X	X	120-05795
31	Switch, High Limit	X	X	120-03933
32	Nut	X	X	130-03109
33	Hanger, Hose	X	X	130-08936
34	Washer	X	X	130-03054
35	Bolt	X	X	L130-00254
36	Case Assembly with Doors	X	X	400-08968
37	Handle	X	X	130-08534
38	Motor	X	X	120-08920
39	Mount, Motor	X	X	220-08146
40	Fan	X	X	130-03531
41	Housing Fan with Motor and Fan	X	X	400-08919
42	Screw	X	X	130-02688
43	Spacer	X	X	130-02687
44	Wire, Ignition	X	X	120-09348
45	LED w/ Leads	X	X	400-08872

Tent Heaters

MODEL CT170



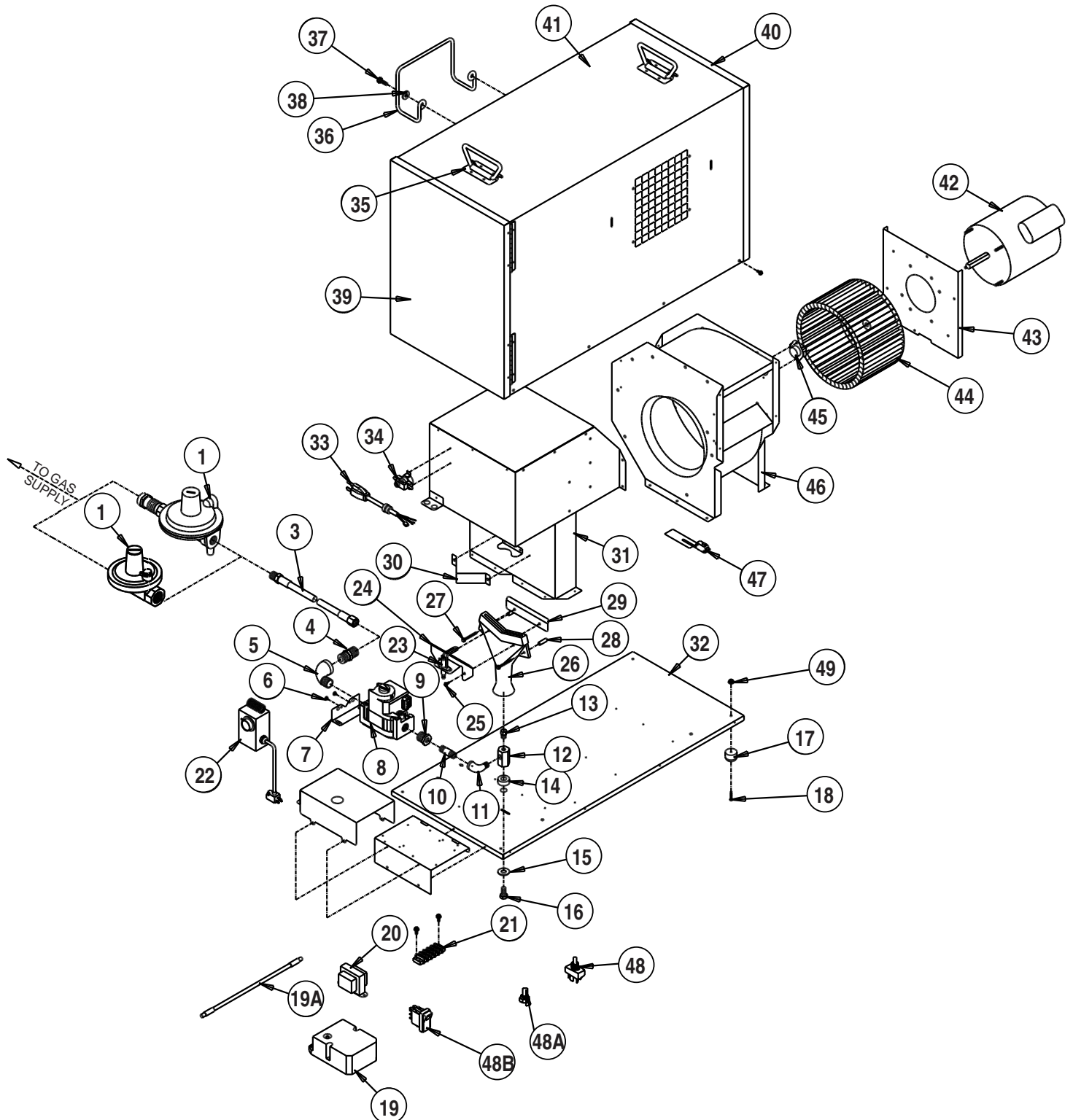
Unit Heaters

PARTS IDENTIFICATION

Item	Description	Design Sequence		Model CT170
		A	B	
1	Regulator, L.P. Gas	X	X	400-09911
2	Adapter, 1/2 NPT x 1/2 NPS	X	X	310-02894
3	Hose, 1/2 In. x 10 Ft.	X	X	550-20704
4	Kit, Leg Bracket	X	X	500-20690
5	Cap, Hub	X	X	130-07187
6	Nut	X	X	130-01095
7	Wheel	X	X	130-09160
8	Spacer	X	X	130-07905
9	Axle	X	X	330-06421
10	Base	X	X	225-09150
11	Eil	X	X	130-09309
12	Valve, Gas Control, L.P. Gas	X	X	550-06071
13	Bushing	X	X	130-01519
14	Nipple	X	X	130-03115
15	Holder, Orifice	X	X	310-02690
16	Orifice, Burner	X	X	310-09130
17	Control, Ignition	X	X	120-08810
18	Cover	X	X	225-08964
19	Bracket	X	X	225-08963
20	Transformer	X	X	120-08922
21	Washer	X	X	130-01589
22	Bolt	X	X	130-02692
23	Bracket, Igniter	X	X	260-06524
24	Terminal Strip	X	X	120-08253
25	Screw	X	X	130-02330
26	Wire, Igniter	X	X	120-09348
27	Igniter	X	X	410-06479
28	Screw	X	X	130-02688
29	Spacer	X	X	130-02687
30	Burner	X	X	320-03453
31	Switch, High Limit Burner End (275 F)	X	X	120-03933
32	Chamber, Heat	X	X	400-09133
33	Bolt	X	X	L130-11267
34	Washer	X	X	130-02513
35	Cage, Nut	X	X	130-07708
36	Cord, Power	X	X	120-09139
37	Thermostat, Kit w/ 20 Ft. Cord	X	X	500-21790
40	Hanger, Hose	X	X	130-08936
41	Bolt	X	X	130-11254
42	Washer	X	X	130-03054
43	Handle	X	X	130-08534
44	Case Assembly	X	X	400-09135
45	Motor	X	X	120-09048
46	Mount, Motor	X	X	225-08647
47	Fan	X	X	130-09050
48	Housing, Fan	X	X	400-09142
49	Bolt	X	X	130-09239
50	LED w/ Leads	X	X	400-08872

Tent Heaters

MODEL TS080



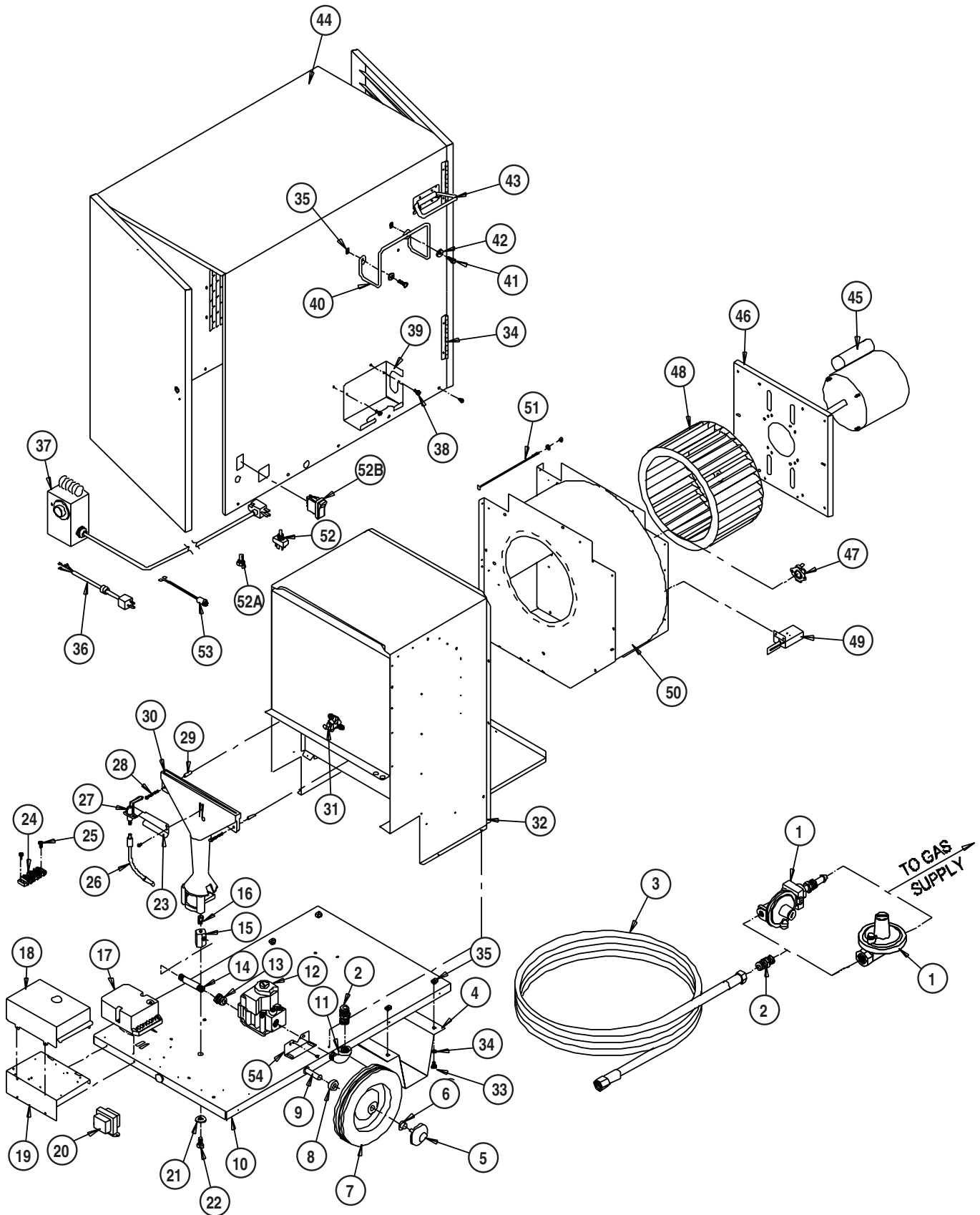
Unit Heaters

PARTS IDENTIFICATION

Item	Description	Design Sequence			Model TS080	
		C	D	E		
1	Regulator	L.P. Gas	X	X	X	400-08990
		Natural Gas	X	X	X	500-21999
2	Adapter, 3/8 NPT x 1/2 NPS,	L.P. Gas	X	X	X	310-06655
3	Hose, 1/2 In. ID x 10 Ft, with Adapters	L.P. Gas	X	X	X	550-20531
		Natural Gas	X	X	X	550-20704
4	Adapter, 1/2 NPT x 1/2 NPS		X	X	X	310-02894
5	Ell		X	X	X	130-09309
6	Screw		X	X	X	130-09425
7	Bracket		X	X	X	225-09760
8	Valve, Gas Control	L.P. Gas	X	X	X	120-09368
		Natural Gas	X	X	X	120-09428
9	Bushing		X	X	X	130-01519
10	Nipple		X	X	X	130-02453
11	Ell		X	X	X	130-01425
12	Holder, Orifice		X	X	X	310-09759
13	Orifice, Burner	L.P. Gas	X	X	X	310-09753
		Natural Gas	X	X	X	310-09754
14	Spacer, Burner		X	X	X	130-07905
15	Washer		X	X	X	130-01589
16	Bolt		X	X	X	130-02692
17	Bumper		X	X	X	130-08932
18	Screw		X	X	X	130-08944
19	Control Ignition		X	X	X	120-08810
19A	Wire, Ignition Control		X	X	X	120-09348
20	Transformer		X	X	X	120-08922
21	Terminal Strip		X	X	X	120-08253
22	Thermostat Kit		X	X	X	500-09454
23	Igniter		X	X	X	410-06479
24	Bracket		X	X	X	260-08906
25	Screw		X	X	X	130-01213
26	Burner		X	X	X	410-06479
27	Screw		X	X	X	130-02688
28	Spacer		X	X	X	130-02687
29	Bracket Flame Arrestor		X	X	X	260-08942
30	Bracket, Burner		X	X	X	220-08933
31	Chamber, Heat		X	X	X	400-08952
32	Base		X	X	X	225-08909
33	Cord, Power		X	X	X	120-09139
34	Switch, High Limit, Burner End (275 F)		X	X	X	120-03933
35	Handle		X	X	X	130-08534
36	Hanger, Hose		X	X	X	130-08936
37	Bolt		X	X	X	130-01254
38	Washer		X	X	X	130-03054
39	Case Access Panel, Burner End		X	X	X	225-08917
40	Case Access Panel, Motor End		X	X	X	225-08916
41	Case Assembly w/ Access Panels		X	X	X	400-09970
42	Motor		X	X	N/A	120-08920
			N/A	N/A	X	120-20292
43	Mount, Motor		X	X	X	220-08146
44	Fan		X	X	X	130-03531
45	Switch, High Limit (250 F)		X	X	X	120-09821
46	Housing Fan w/ Motor, Fan & High Limit Switch	L.P. Gas	X	X	N/A	400-09961
		Natural Gas	N/A	N/A	X	400-22067
47	Switch, Air Proving w/ Bracket		N/A	N/A	X	400-21186
48	Switch, Heat/Vent (Toggle)		X	X	N/A	120-09915
48A	Boot		X	X	N/A	130-09916
48B	Switch, Heat/Vent (Rocker)		N/A	N/A	X	120-22017
49	Light, LED w/ Leads		X	X	N/A	120-08811
50	Nut		X	X	X	130-03109

Tent Heaters

MODEL TS170



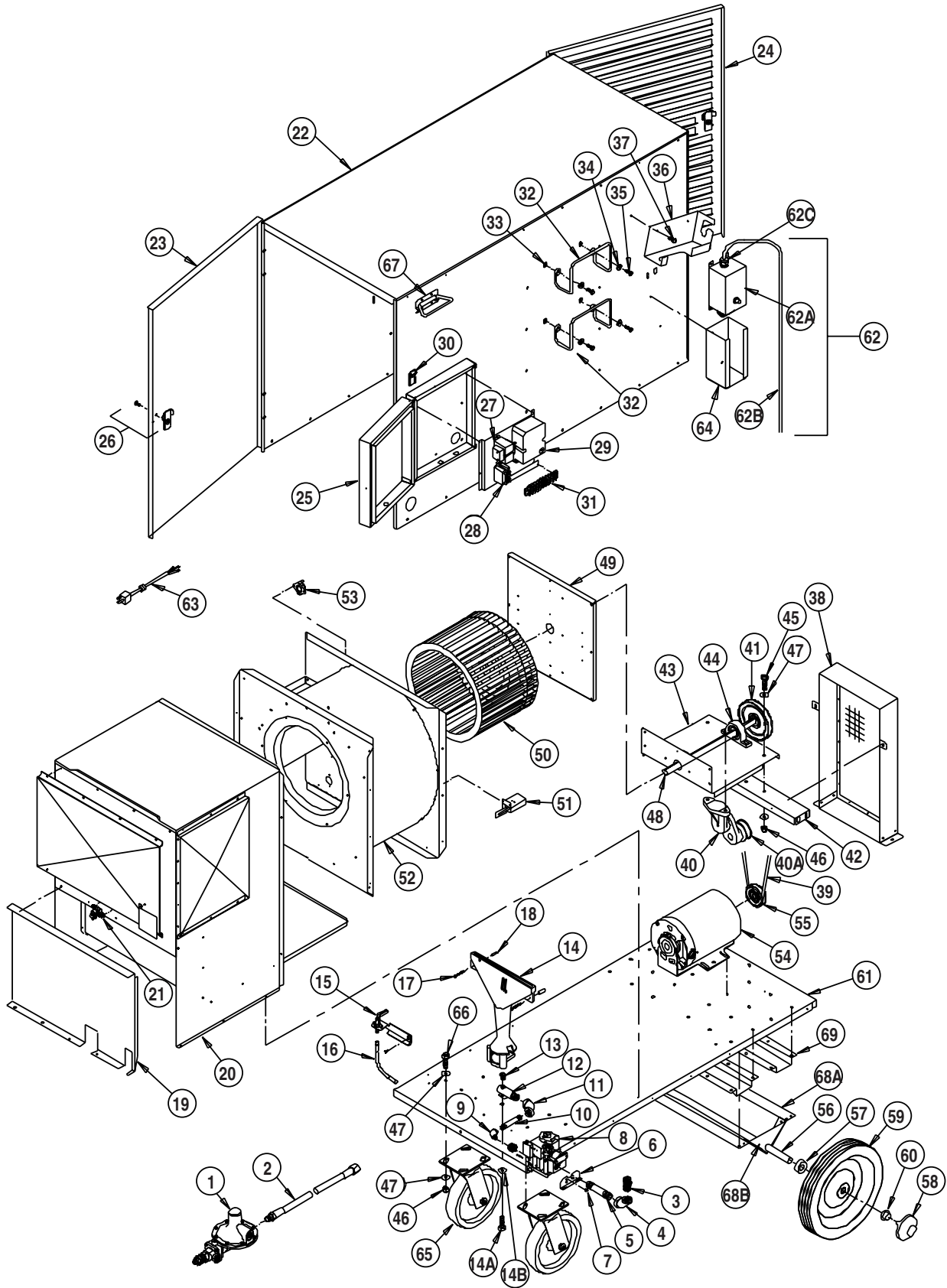
Unit Heaters

PARTS IDENTIFICATION

Item	Description	Design Sequence		Model TS170	
		C	D		
1	Regulator	L.P. Gas	X	X	400-09911
		Natural Gas	X	X	400-09795
2	Adapter, 1/2 NPT x 1/2 NPS,	L.P. Gas	X	X	310-02894
3	Hose, 1/2 In x 10 Ft		X	X	550-20704
4	Kit, Leg Bracket		X	X	500-20960
5	Cap, Hub		X	X	130-07187
6	Nut		X	X	130-01095
7	Wheel		X	X	130-09160
8	Spacer		X	X	130-07905
9	Axle		X	X	330-06421
10	Base		X	X	225-09150
11	EII		X	X	130-09309
12	Valve, Gas Control	L.P. Gas	X	X	120-09368
		Natural Gas	X	X	120-09428
13	Bushing		X	X	130-01519
14	Nipple		X	X	130-03115
15	Holder, Orifice		X	X	310-09759
16	Orifice, Burner	L.P. Gas	X	X	310-09786
		Natural Gas	X	X	310-09787
17	Control Ignition		X	X	120-08810
18	Cover		X	X	225-08964
19	Bracket		X	X	225-08963
20	Transformer		X	X	120-08922
21	Washer		X	X	130-01589
22	Bolt		X	X	130-02692
23	Bracket, Igniter		X	X	260-09783
24	Terminal Strip		X	X	120-08253
25	Screw		X	X	130-02330
26	Wire, Igniter		X	X	120-09348
27	Igniter		X	X	410-06479
28	Screw		X	X	130-02688
29	Spacer		X	X	130-02687
30	Burner		X	X	320-03453
31	Switch, High Limit, Burner End (275 F)		X	X	120-03933
32	Chamber, Heat		X	X	400-09133
33	Bolt		X	X	L130-11267
34	Washer		X	X	130-02513
35	Cage Nut		X	X	130-07708
36	Cord, Power		X	X	120-09917
37	Thermostat Kit, w/ 20 Ft. Cord		X	X	500-21790
38	Screw		X	X	130-07288
39	Bracket, Regulator Storage		X	X	225-09919
40	Hanger, Hose		X	X	130-08936
41	Bolt		X	X	130-11254
42	Washer		X	X	130-03054
43	Handle		X	X	130-08534
44	Case, Assembly		X	X	400-09927
45	Motor		X	X	120-20169
46	Mount Motor		X	X	225-08647
47	Switch, High Limit Motor End (190 F)		X	X	120-09784
48	Fan		X	X	130-09050
49	Switch, Air Proving		X	X	400-09925
50	Housing, Fan w/ Motor, Fan, High Limit and Air Proving Switches		X	X	400-09789
51	Bolt, 7 1/2 in.		X	X	130-09239
52	Switch, Heat/Vent, Toggle		X	N/A	120-09915
52A	Boot		X	N/A	130-09916
52B	Switch, Heat/Vent, Rocker w/ LED		N/A	X	120-22017
53	Light, LED w/ Leads		X	N/A	120-08811
54	Bracket, Gas Control		X	X	225-09760

Tent Heaters

MODEL TS350



Unit Heaters

PARTS IDENTIFICATION

Item	Description	Model K350
1	Regulator	L.P. Gas
		Natural Gas
2	Hose, 3/4 ID x 15 Ft.	130-23078
	Hose, 3/4 ID x 10 Ft.	130-23079
3	Adapter, 3/4 NPT x 3/4 NPS	130-22426
4	Elbow	130-22404
5	Nipple, 3/4 x 4 1/2 In.	130-23143
6	Bracket, Gas Control	225-23132
8	Valve, Gas Control	L.P. Gas
		Natural Gas
9	Elbow, 1/2 NPT	130-01359
10	Nipple	130-07148
11	Elbow, 1/2 NPT	130-01426
12	Manifold	420-09291
13	Orifice, Burner	L.P. Gas
		Natural Gas
14	Burner	400-21781
14A	Bolt, Burner	130-02692
14B	Washer	130-01589
15	Igniter	410-06479
16	Lead, Ignition	120-22948
17	Screw, Burner Mounting	130-02688
18	Spacer, Burner	130-02687
19	Panel, Burner Access	220-22903
20	Chamber, Heat	400-22890
21	Switch, High Limit, Burner End, 325°F	F120-81108
22	Case Assembly w/ Control Panel & Access Door	400-22877
23	Panel, Case Access, Burner	271-22881
24	Panel, Case Access, Motor	271-22880
25	Panel, Control Box Cover	271-22875
26	Latch	130-09199
27	Transformer	120-09615
28	Relay	120-08685
29	Control Ignition	120-08810
30	Switch, Selector w/ L.E.D.	120-22017
31	Terminal Strip	120-22905
32	Hose and Thermostat Hanger	130-08936
33	Cage Nut	130-07708
34	Washer, 1/4	130-03054
35	Bolt, 1/4 - 20 x 3/4	L130-11254
36	Bracket, Regulator Storage	271-22917
37	Screws. Regulator Storage Bracket and Thermostat Storage Bracket	130-07288
38	Guard, Belt	400-23058
39	Belt	130-23129
40	Belt Tensioner	130-23096
40A	Idler	130-23098
41	Sheave, Fan	130-23037
42	Bracket, Support	225-22889

Tent Heaters

PARTS IDENTIFICATION (Cont.)

43	Platform, Bearing	225-22888
44	Bearing, Pillow Block	130-22949
45	Bolt, 3/8 - 16 x 1 1/4	130-03147
46	Nut, 3/8 - 16	130-05100
47	Washer, 3/8	130-01589
48	Shaft, 3/4 Dia. with 3/16 keyway	130-22950
49	Panel, Fan Access	225-22887
50	Fan	130-22868
50A	Key, 3/16 in., Fan & Motor Sheaves, & Fan Shaft (Not Illustrated)	130-22955
51	Switch, Air Proving	400-22946
52	Housing, Fan	400-22882
53	Switch, High Limit, Fan End, 190°F	120-09784
54	Motor	120-22908
55	Sheave, Motor	130-23038
56	Axle, Wheel	330-22951
57	Spacer	130-07905
58	Hub Cap	130-07187
59	Wheel	130-22914
60	Cap, Retaining	130-01095
61	Base	225-22904
62	Thermostat Kit w/ 20 Ft. Cord	500-22920
62A	Thermostat	120-09785
62B	Cord, Thermostat	120-22921
62C	Connector, Liquid Tight	120-08948
63	Cord, Power, 10 Ft.	120-22907
64	Bracket, Thermostat Storage	271-23111
65	Wheel, Caster	130-23130
66	Bolt, 5/16 - 18	130-03141
67	Handle, Case	130-08534
68A	Bracket, Axle Mount	225-23112
68B	Bracket, Axle	225-23113
69	Support Motor	225-23110

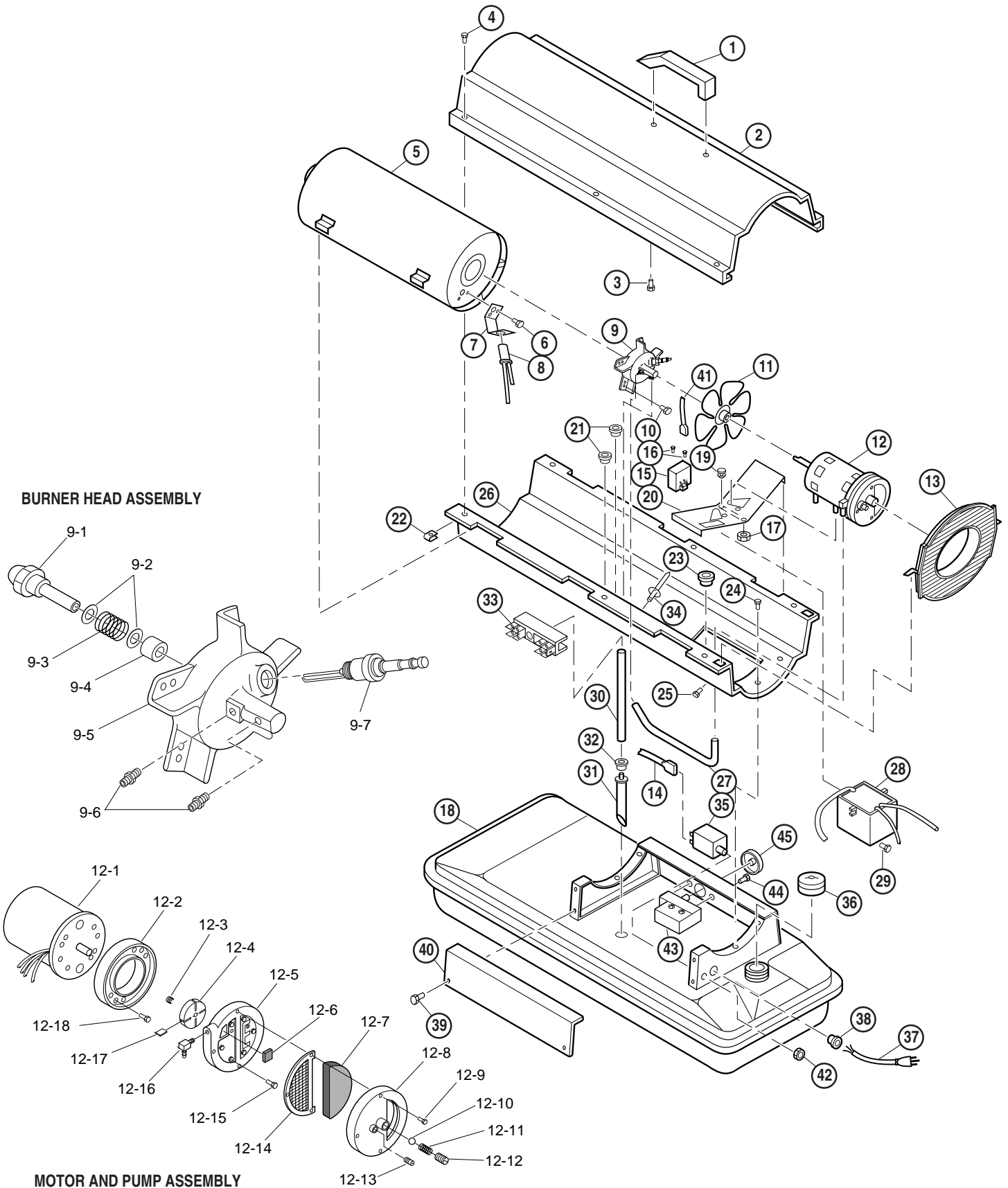


TRADESMAN

Kerosene Heaters

Kerosene Heaters

MODEL K70



Kerosene Heaters

PARTS IDENTIFICATION

<u>Item</u>	<u>Description</u>	<u>Model K70</u>
1	Handle	130-20783
2	Upper Shell	130-20772
3	Screw, #10-16 x 3/4"	120-20807
4	Screw, #6-32 x 3/8"	130-20805
5	Combustion Chamber	130-20774
6	Screw, #6-32 x 3/8"	130-20808
7	Photocell Bracket	130-20825
8	Photocell Assembly	130-20827
9	Burner Head Assembly	400-20831*
9-1	Nozzle with Sleeve	130-20762
9-2	Nozzle Seal Washer	130-20763
9-3	Nozzle Seal Spring	130-20764
9-4	Nozzle Sleeve	130-20765
9-5	Burner Head Body	130-20838
9-6	Barb Fitting	130-20833
9-7	Spark Plug	130-20830
10	Screw, #10-16 x 1/2"	130-20805
11	Fan	130-20843
12	Motor and Pump Assembly	400-20855*
12-1	Motor	120-20856
12-2	Pump Body	130-20857
12-3	Insert	130-20858
12-4	Rotor	130-20859
12-5	Pump End Cover	130-20876
12-6	Lint Filter	130-20981
12-7	Intake Filter	130-20878
12-8	Filter End Cover	130-20881
12-9	Screw, #10-32 x 1"	130-20813
12-10	Adjusting Screw	130-20917
12-11	Pressure Relief Spring	130-20916
12-12	Plug	130-20918
12-13	Steel Ball (1/4" Dia.)	130-20915
12-14	Output Filter	130-20919
12-15	Screw, #10-32 x 1"	130-20813
12-16	Elbow, 90 Deg. (Barb Fitting)	130-20835
12-17	Blade	130-20860
12-18	Screw, #10-32 x 5/8"	130-20814
13	Fan Guard	130-20929
14	Wire Assembly (Red, 6")	120-20883
15	Solid State Relay	120-20889
16	Screw, #8-18 x 1/2"	130-20812
17	Hex Lock Nut, 1/4-20	130-20818
18	Fuel Tank (K70)	130-20777
19	Rubber Bumper	130-20924
20	Motor Bracket	130-20864
21	Bushing	130-20931
22	Clip Nut	130-20936
23	Bushing	130-20932
24	Screw, #10-16 x 3/8"	130-20806
25	Screw, #8-32 x 3/8"	130-20810
26	Lower Shell	130-20773
27	Airline	130-20948
28	Ignitor Kit	120-20888
29	Screw, #10-16 x 3/4"	130-20807
30	Fuel Line	130-20949

Kerosene Heaters

MODEL K70 (Continued)

31	Fuel Filter (with Bushing)	130-20950
32	Rubber Bushing	130-20933
33	Terminal Board	120-20886
34	Rivet	130-20927
35	Flame-Out Control	120-20875
36	Fuel Cap Kit (Includes Gasket)	130-20944
37	Power Cord	120-20894
38	Strain Relief Bushing	130-20947
39	Screw, #10-16 x 3/8"	130-20806
40	Side Cover	130-20951
41	Wire Assembly (Red, 16")	120-20884
42	Hex Nut, 3/8 -27	130-20822
43	Thermostat	120-20899
44	Screw, #6-32 x 1/4"	130-20809
45	Thermostat Knob	130-20928

* Not available as an assembly. See breakdown of sub-assembly components items 12-1 through 12-18.

Parts Available - Not Shown

General Info. Decal	150-20802
Combustion Chamber Ground Wire	130-20921
Wire Clip (Secures thermostat and power cord wires)	130-20923

Optional Accessories

Rotor Kit	500-20900
Filter Kit	500-20903
Pump Kit	500-20902

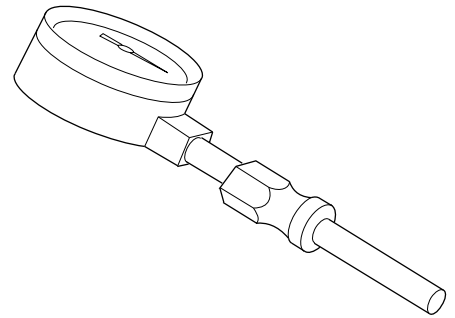
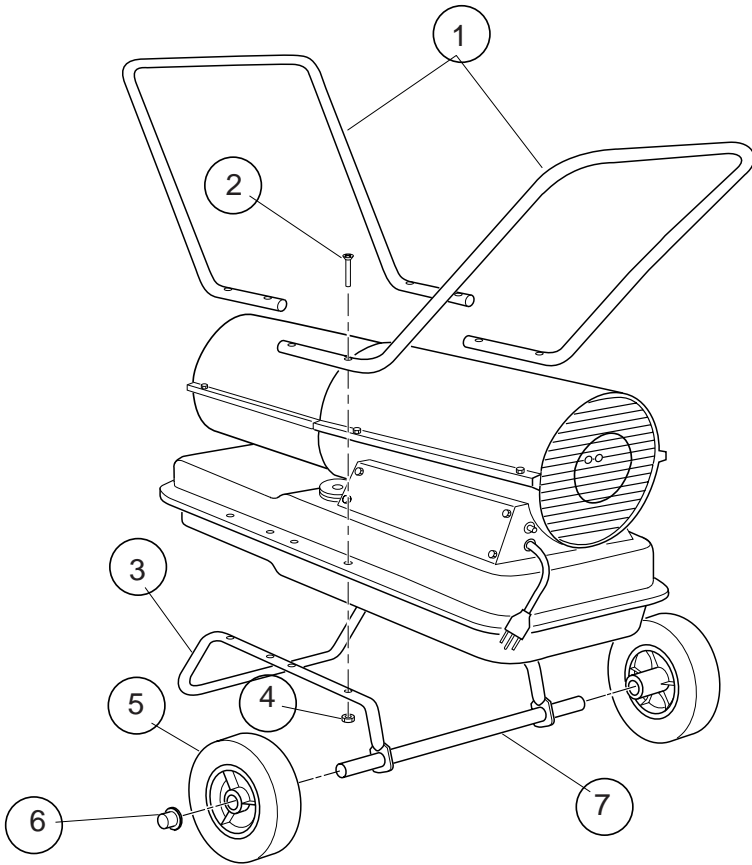
Kerosene Heaters

PARTS IDENTIFICATION

<u>Item</u>	<u>Description</u>	<u>Model K150</u>
1	Upper Shell	130-20770
2	Screw, #10-16 x 1/2"	130-20805
3	Combustion Chamber	130-20775
4	Photocell Bracket	130-20825
5	Screw, #6-32 x 3/8"	130-20808
6	Photocell Assembly	130-20827
7	Burner Head Assembly	400-20832*
7-1	Nozzle with Sleeve	130-20766
7-2	Nozzle Seal Washer	130-20763
7-3	Nozzle Seal Spring	130-20764
7-4	Nozzle Sleeve	130-20765
7-5	Burner Head Body	130-20837
7-6	Barb Fitting	130-20834
7-7	Spark Plug	130-20830
8	Screw, #10-16 x 1/2"	130-20805
9	Fan	130-20844
10	Motor and Pump Assembly	400-20861*
10-1	Motor	120-20862
10-2	Pump Body	130-20857
10-3	Screw, #10-32 x 5/8"	130-20814
10-4	Rotor Insert	130-20858
10-5	Pump Rotor	130-20859
10-6	Pump End Cover	130-20877
10-7	Intake Filter	130-20879
10-8	Filter End Cover	130-20882
10-9	Steel Ball, 1/4" Dia.	130-20915
10-10	Relief Spring	130-20916
10-11	Adjusting Screw	130-20917
10-12	Plug	130-20918
10-13	Screw, #10-32 x 1"	130-20813
10-14	Output Filter	130-20920
10-15	Lint Filter	130-20880
10-16	Barb Fitting	130-20832
10-17	Blade	130-20860
11	Rubber Bumper	130-20924
12	Motor Mounting Bracket	130-20863
13	Solid State Relay	120-20889
14	Screw, #8-18 x 1/2"	130-20812
15	Hex Lock Nut, 1/4-20	130-20818
16	Fan Guard	130-20930
17	Ignitor Kit	120-20888
18	Screw, #10-16 x 3/4"	130-20807
19	Fuel Line	130-20952
20	Fuel Filter	130-20953
21	Fuel Line Tube	130-20954
22	Rubber Bushing	130-20933
23	Airline	130-20955
24	Lower Shell	130-20771
25	Bushing	130-20934
26	Bushing	130-20935
27	Screw, #10-16 x 1/2"	130-20805
28	Clip Nut	130-20936
29	Screw, #8-32 x 3/8"	130-20810
30	Fuel Tank	130-20778
31	Fuel Cap (includes Gasket)	130-20944

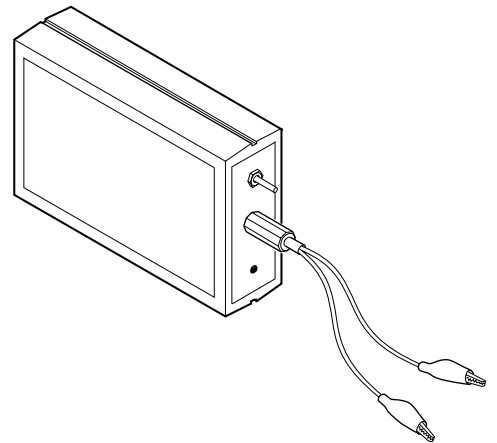
Kerosene Heaters

MODEL K150 (Continued)



AIR GAUGE KIT - 500-20907

Special tool to check pump pressure. For all models.



FLAME-OUT CONTROL/ PHOTOCELL TESTER - 500-20913

Special tool used to test the flame-out control and photocell.

Kerosene Heaters

PARTS IDENTIFICATION (Continued)

32	Flame-Out Control	120-20875
33	Strain Relief Bushing	130-20947
34	Power Cord	120-20893
35	Side Cover	130-20956
36	Screw, #10-16 x 1/2"	130-20805
37	Terminal Board	120-20886
38	Rivet	130-20927
39	Wire Assembly (Red, 18")	120-20885
40	Wire Assembly (Red, 6")	120-20883
41	Drain Plug (Includes "O" Ring)	130-20945
42	Hex Nut, 3/8 - 27	130-20822
43	Button Plug	130-20957
44	Thermostat	120-20899
45	Screw, #6-32 x 1/4"	130-20809
46	Thermostat Knob	130-20928

* Not available as an assembly.

Parts Available - Not Shown

General Info. Decal	150-20801
Combustion Chamber Ground Wire	130-20922
Wire Clip (Secures thermostat and power cord wires)	130-20923

Optional Accessories

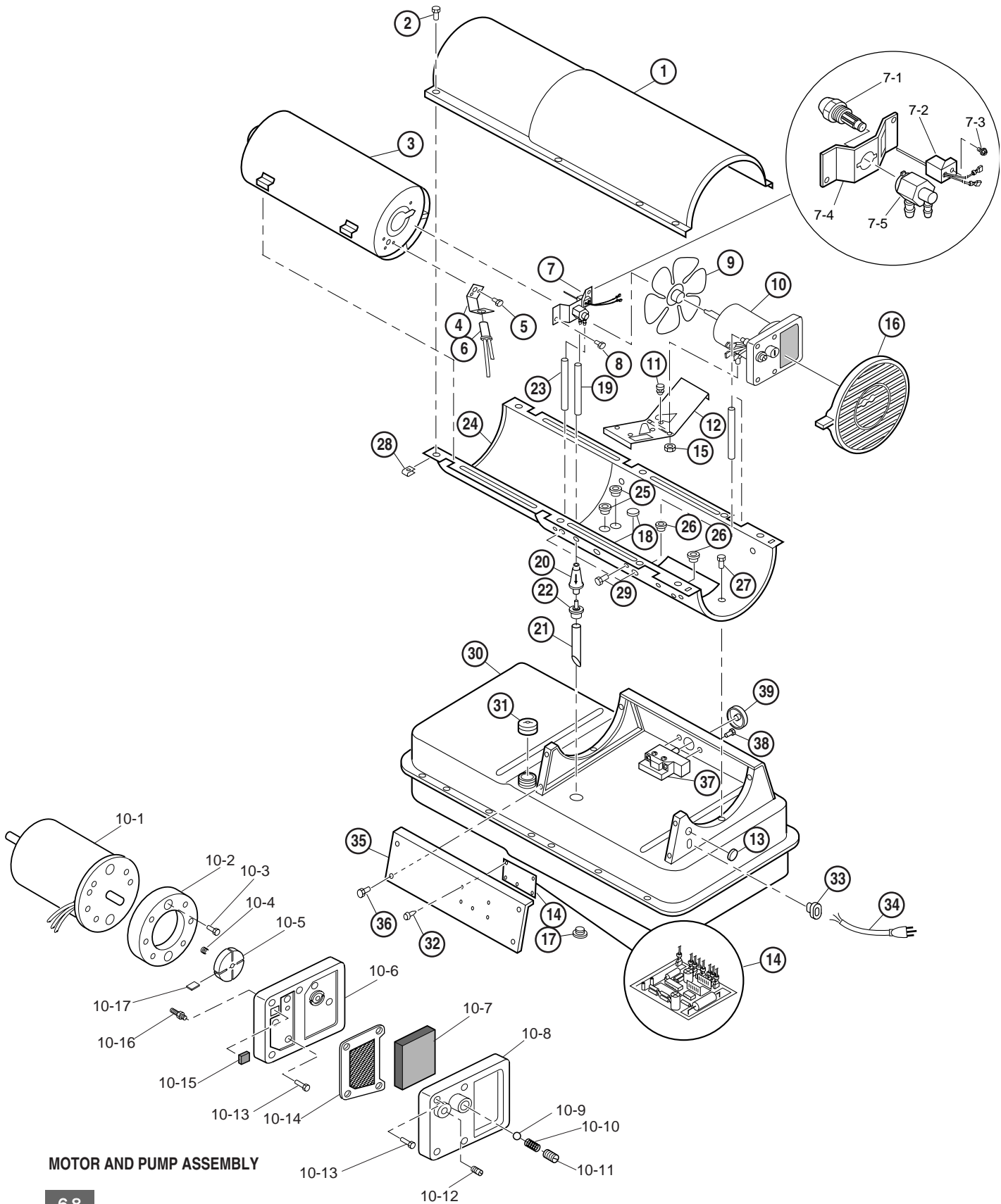
Rotor Kit	500-20900
Filter Kit	500-20901
Pump Kit	500-20902

Wheels and Handle Parts List

1	Handles	130-21940
2	Screw, #10-24 x 1 3/4"	130-20853
3	Wheel Support Frame - Hex Nut, #10-24	130-21942
4	Wheel	130-20851
5	Cap Nut	130-20854
6	Axle	130-21941

Kerosene Heaters

MODEL K155



MOTOR AND PUMP ASSEMBLY

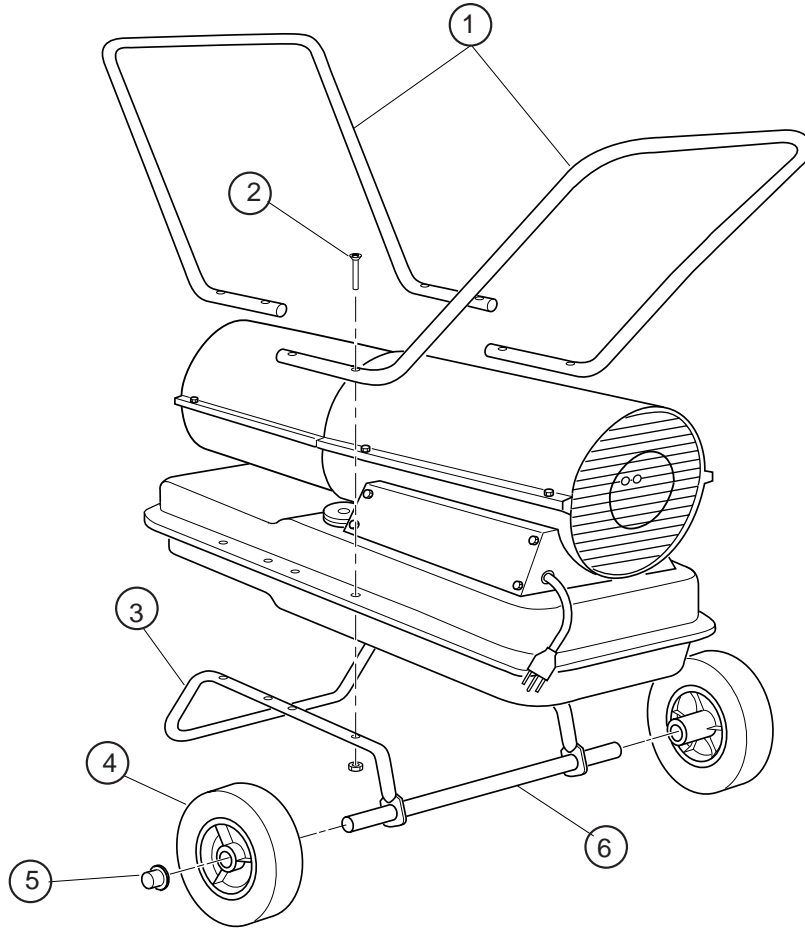
Kerosene Heaters

PARTS IDENTIFICATION

<u>Item</u>	<u>Description</u>	<u>Model K155</u>
1	Upper Shell	130-20770
2	Screw, #10-16 x 1/2"	130-20805
3	Combustion Chamber	130-21932
4	Photocell Bracket	130-20825
5	Screw, #6-32 x 3/8"	130-20808
6	Photocell Assembly	130-21925
7	Burner Head Assembly	N/A
7-1	Nozzle Assembly	130-21926
7-2	Ignitor Kit	130-21933
7-3	Assembly Screw/Washer	130-21928
7-4	Nozzle Adapter Bracket	130-21917
7-5	Nozzle Adapter	130-21918
8	Screw, #10-16 x 1/2"	130-20805
9	Fan	130-21934
10	Motor and Pump Assembly	N/A
10-1	Motor	120-21935
10-2	Pump Body	130-20857
10-3	Screw, #10-32 x 5/8"	130-20814
10-4	Rotor Insert	130-20858*
10-5	Pump Rotor	130-20859*
10-6	Pump End Cover	130-20877
10-7	Intake Filter	130-20879*
10-8	Filter End Cover	130-20882
10-9	Steel Ball, 1/4" Dia.	130-20915*
10-10	Relief Spring	130-20916*
10-11	Adjusting Screw	130-20917*
10-12	Plug	130-20918*
10-13	Screw, #10-32 x 1"	130-20813
10-14	Output Filter	130-20920*
10-15	Lint Filter	130-20880*
10-16	Barb Fitting	130-20832*
10-17	Blade	130-20860*
11	Rubber Bumper	130-20924
12	Motor Mounting Bracket	130-20863
13	Button Plug	130-21936
14	Ignition Control Assembly	120-21919
15	Hex Lock Nut, 1/4-20	130-20818
16	Fan Guard	130-20930
17	Drain Plug (Includes "O" Rings)	130-20945
18	Button Plug	130-20957
19	Fuel Line	120-21939
20	Fuel Filter	130-20953
21	Fuel Line Tube	130-20954
22	Rubber Bushing	130-20933
23	Airline	130-20955
24	Lower Shell	130-20771
25	Bushing	130-20934
26	Bushing	130-20935
27	Screw, #10-16 x 1/2"	130-20805
28	Clip Nut	130-20936
29	Screw, #8-32 x 3/8"	130-20810
30	Fuel Tank	130-20778
31	Fuel Cap (includes Gasket)	130-20944
32	P.C. Board Support	130-21920
33	Strain Relief Bushing	130-20947

Kerosene Heaters

MODEL K155 (Continued)



Kerosene Heaters

PARTS IDENTIFICATION (Continued)

34	Power Cord	120-20893
35	Side Cover	130-21937
36	Screw, #10-16 x 1/2"	130-20805
37	Thermostat	120-20899
38	Screw #6-32 x 1/4"	130-20809
39	Thermostat Knob	130-20928
40	Wire Tie (Not Shown)	130-21921

* Not available as an assembly.

Optional Accessories

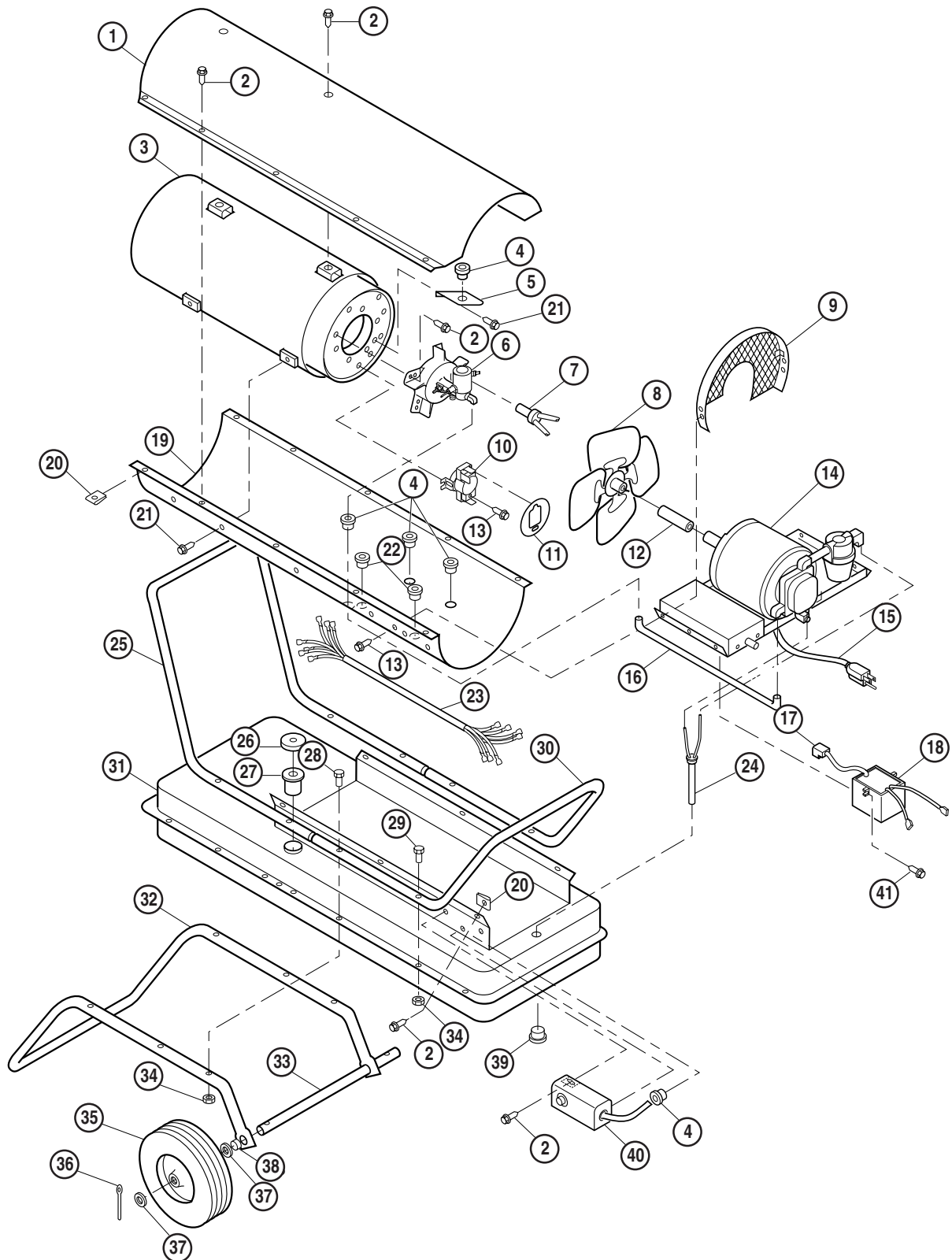
	Rotor Kit	500-20900
	Filter Kit	500-20901
	Pump Kit	500-20902
	Air Gauge Kit	500-20907
	Fuel Tank Filter Screen	130-21922

Wheels and Handle Parts List

1	Handles	130-21940
2	Screw, #10-24 x 1 3/4"	130-20853
3	Wheel Support Frame - Hex Nut, #10-24	130-21942
4	Wheel	130-20851
5	Cap Nut	130-20854
6	Axle	130-21941

Kerosene Heaters

MODEL K350



Kerosene Heaters

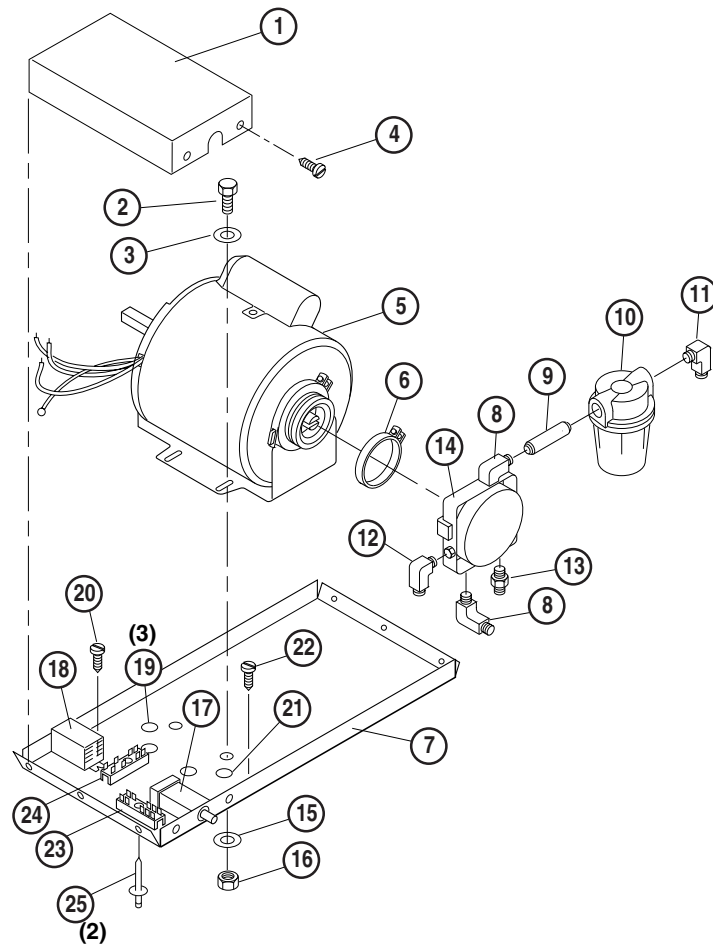
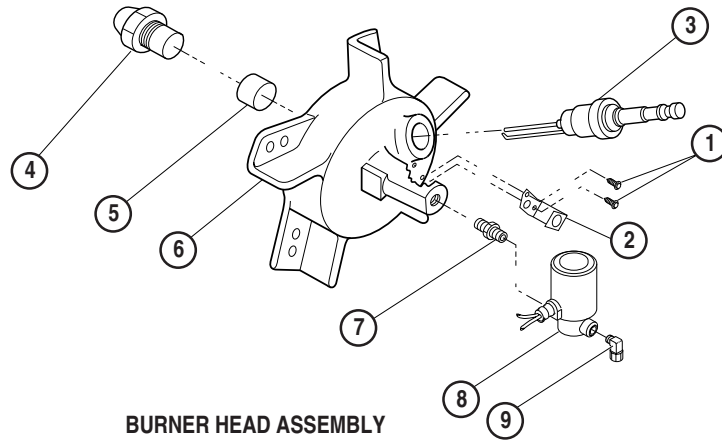
PARTS IDENTIFICATION

<u>Item</u>	<u>Description</u>	<u>Model K350</u>
1	Upper Shell	130-20768
2	Screw, #10-16 x 1/2"	130-20805
3	Combustion Chamber & Shield	130-20776
4	Bushing	130-20931
5	Air Deflector	130-20942
6	Burner Head Assembly	400-20829
7	Photocell Assembly	130-20828
8	Fan	130-20845
9	Fan Guard	130-20937
10	Fan Switch	120-20938
11	Fan Switch Cover	130-20939
12	Sleeve	130-20941
13	Screw, #10-16 x 3/8"	130-20806
14	Motor & Pump Assembly	N/A*
15	Power Cord	120-20892
16	Fuel Line	130-20940
17	Ignition Boot	120-20891
18	Electronic Ignitor	120-20890
19	Lower Shell	130-20769
20	Clip Nut	130-20936
21	Screw, #12-14 x 1/2"	130-20815
22	Bushing	130-20932
23	Wire Harness	120-20897
24	Fuel Line Assembly	130-20943
25	Front Handle	130-20780
26	Fuel Cap	130-20944
27	Filler Neck Screen	130-20946
28	Screw, 1/4-20 x 2 1/4"	130-20817
29	Screw, 1/4-20 x 1 1/2"	130-20816
30	Rear Handle	130-20781
31	Fuel Tank	130-20779
32	Wheel Support Frame	130-20846
33	Axle	130-20848
34	Hex Lock Nut, 1/4-20	130-20818
35	Wheel	130-20847
36	Cotter Pin, 5/32 x 1 1/4"	130-20824
37	Flatwasher, 5/8"	130-20823
38	Wheel Spacer	130-20849
39	Drain Plug	130-20945
40	Thermostat	120-20898
41	Screw, #10-16 x 3/4"	130-20807

* Not available as an assembly. See breakdown of motor and pump components on page 6.15.

Kerosene Heaters

MODEL K350 (Continued)



Kerosene Heaters

PARTS IDENTIFICATION (Continued)

Burner Head Assembly - 350,000 BTUH

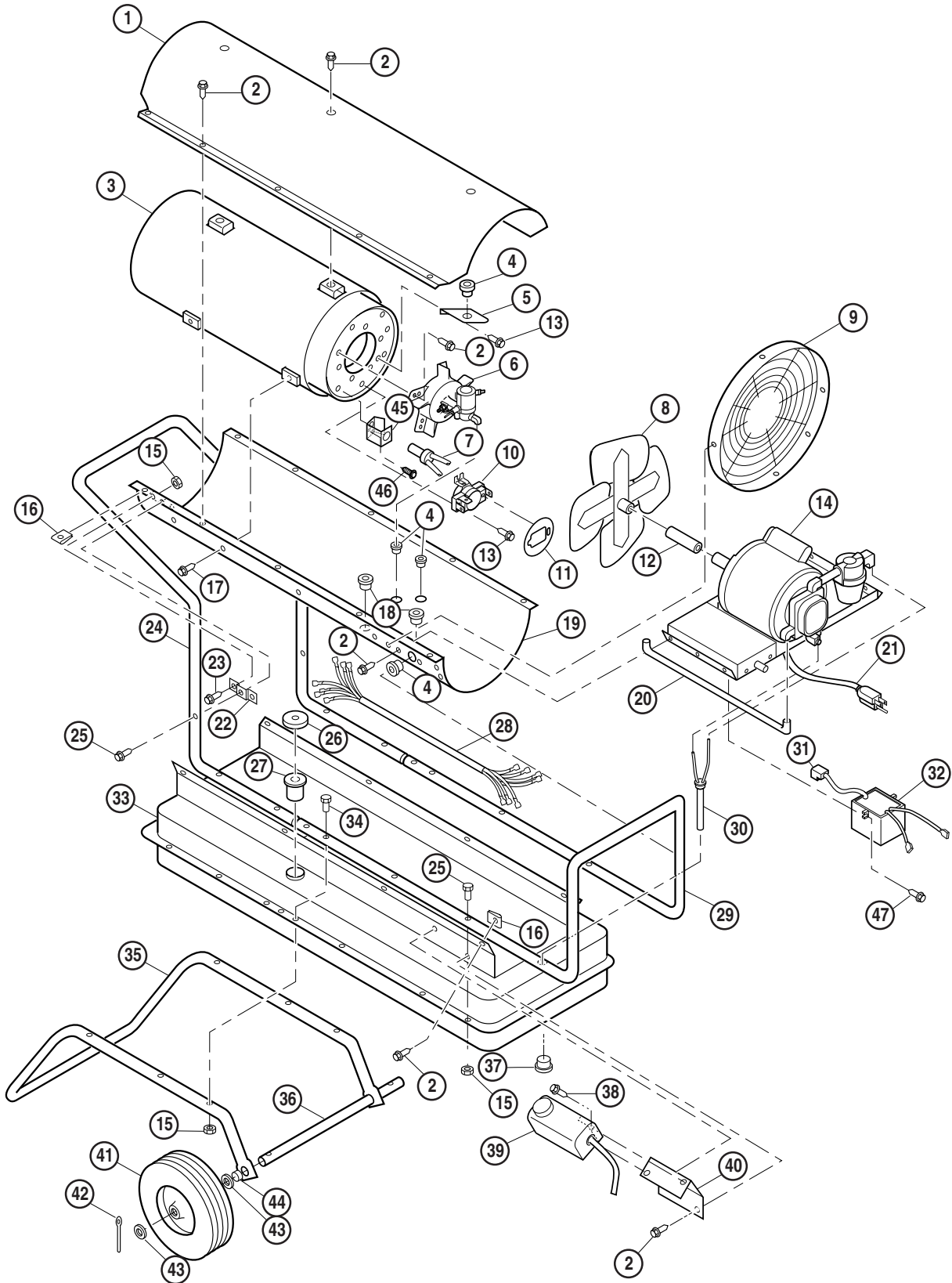
1	Screw, #6-32 x 3/8"		130-20808
2	Photocell Bracket		130-20826
3	Spark Plug		130-20830
4	Nozzle	350,000 BTUH	130-20767
5	Plug		130-20839
6	Burner Head Body		130-20836
7	Straight Nipple		130-20841
8	Solenoid Valve		120-20840
9	Compression Elbow		130-20842

Motor and Pump Assembly - 350,000 BTUH

1	Wiring Cover		130-20868
2	Screw, 5/16-24 x 5/16"		130-20819
3	External Lockwasher, 5/16"		130-20820
4	Screw, #10-16 x 3/8"		130-20806
5	Motor	350,000 BTUhr	120-20870
6	Flange Clamp (holds pump to motor)		130-20866
7	Motor Support	350,000 BTUH	130-20865
8	Street Elbow		130-20871
9	Pipe Nipple		130-20872
10	Fuel Filter Assembly		400-20873
	Filter Element (inside fuel filter assembly, includes rubber gaskets)		130-20874
11	Male Elbow		130-20869
12	Compression Elbow		130-20842
13	Straight Fitting		130-20925
14	Fuel Pump		130-20867
15	Lockwasher, 5/16" (Standard hardware item)		130-20820
16	Hex Nut, 5/16-24"		130-20821
17	Flame-out Control		120-20875
18	Power Relay		120-20896
19	Snap Bushing		130-20926
20	Screw, #6-32 x 3/8"		130-20808
21	Strain Relief Bushing		130-20927
22	Screw, #8-32 x 1/4"		130-20811
23	Terminal Board		120-20887
24	Terminal Board		120-20895
25	Rivet		130-20927

Kerosene Heaters

MODEL K600



Kerosene Heaters

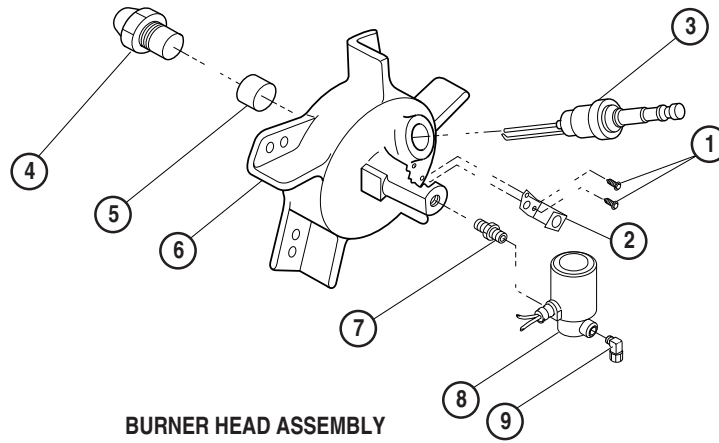
PARTS IDENTIFICATION

<u>Item</u>	<u>Description</u>	<u>Model K600</u>
1	Upper Shell	130-21889
2	Screw, #10-16 x 1/2"	130-20805
3	Combustion Chamber & Shield	130-21890
4	Bushing	130-20931
5	Air Deflector	130-21891
6	Burner Head Assembly	N/A*
7	Photocell Assembly	130-21892
8	Fan	130-21893
9	Fan Guard	130-21894
10	Fan Switch	120-20938
11	Fan Switch Cover	120-20939
12	Sleeve	130-20941
13	Screw, #10-16 x 3/8"	130-20806
14	Motor and Pump Assembly	N/A*
15	Hex Nut, 1/4-20	130-20818
16	Clip Nut	130-20936
17	Screw, #12-14 x 1/2"	130-20815
18	Bushing	130-20932
19	Lower Shell	130-21895
20	Fuel Line	130-21896
21	Power Cord	120-20892
22	Support Bracket	130-21897
23	Screw, 1/4-20 x 3/8"	130-21898
24	Front Handle	130-21899
25	Screw 1/4-20 x 1 1/2"	130-20816
26	Fuel Cap	130-20944
27	Filler Neck Screen	130-20946
28	Wire Harness	130-21900
29	Rear Handle	130-21901
30	Fuel Line Assembly	400-21902
31	Ignition Boot	120-20891
32	Electronic Ignitor	120-20890
33	Fuel Tank	130-21903
34	Screw, 1/4-20 x 2 3/4"	130-21904
35	Wheel Support Frame	130-21905
36	Axle	130-20848
37	Drain Plug	130-20945
38	Screw, #6-32 x 3/8"	130-21906
39	Thermostat	120-20898
40	Thermostat Bracket (Black)	130-21907
41	Wheel	130-20847
42	Cotter Pin	130-20824
43	Flatwasher, 5/8"	130-20823
44	Wheel Spacer	130-20849
45	Photocell Bracket	130-21908
46	Screw, #6-32 x 3/8"	130-21909
47	Screw, #10-16 x 3/4"	130-20807
	Internal Lockwasher No. 6 (Standard Hardware Item)	
	Nut, 6-32 (Not Shown)	130-21910

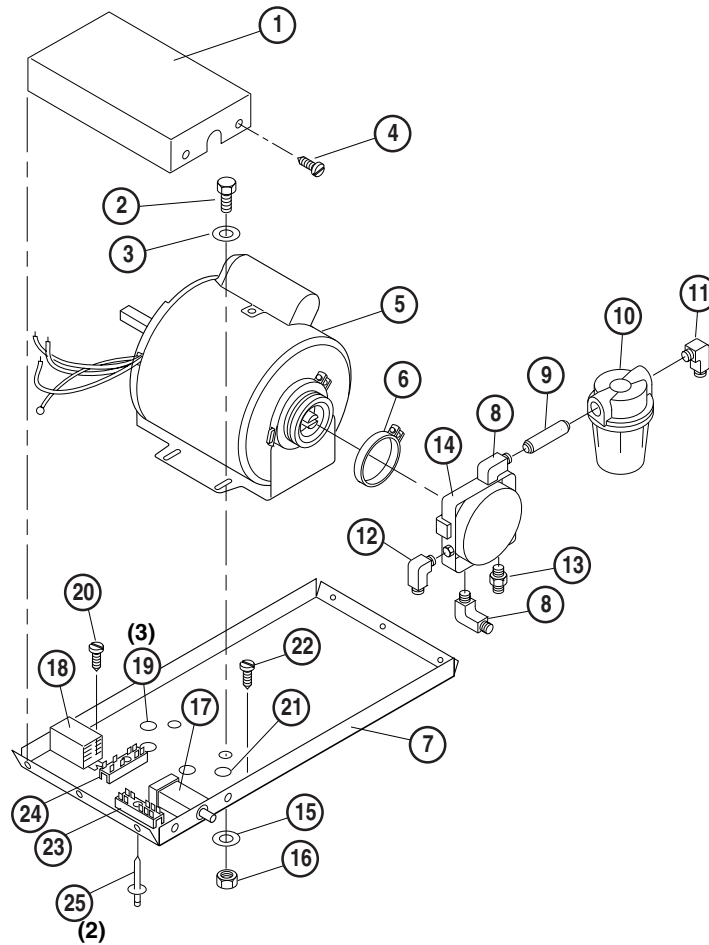
* Not available as complete assembly. See breakdown of motor and pump components on page 6.19.

Kerosene Heaters

MODEL K600 (Continued)



BURNER HEAD ASSEMBLY



MOTOR AND PUMP ASSEMBLY

Kerosene Heaters

PARTS IDENTIFICATION (Continued)

Burner Head Assembly - 600,000 BTUH

1	Screw, #6-32 x 3/8"		130-20808
2	Photocell Bracket		130-20826
3	Spark Plug		130-20830
4	Nozzle	600,000 BTUH	130-21911
5	Plug		130-20839
6	Burner Head Body		130-20836
7	Straight Nipple		130-20841
8	Solenoid Valve		120-20840
9	Compression Elbow		130-20842

Motor and Pump Assembly - 600,000 BTUH

1	Wiring Cover		130-20868
2	Screw, 5/16-24 x 5/16"		130-20819
3	External Lockwasher, 5/16"		130-20820
4	Screw, #10-16 x 3/8"		130-20806
5	Motor	600,000 BTUH	130-21912
6	Flange Clamp (holds pump to motor)		130-20866
7	Motor Support	600,000 BTUH	130-21913
8	Street Elbow		130-20871
9	Pipe Nipple		130-20872
10	Fuel Filter Assembly		400-20873
	Filter Element (inside fuel filter assembly, includes rubber gaskets)		130-20874
11	Male Elbow		130-20869
12	Compression Elbow		130-20842
13	Straight Fitting		130-20925
14	Fuel Pump		130-20867
15	Lockwasher, 5/16" (Standard hardware item)		130-20820
16	Hex Nut, 5/16-24"		130-20821
17	Flame-out Control		120-20875
18	Power Relay		120-20896
19	Snap Bushing		130-20926
20	Screw, #6-32 x 3/8"		130-20808
21	Strain Relief Bushing		130-20927
22	Screw, #8-32 x 1/4"		130-20811
23	Terminal Board		120-20887
24	Terminal Board		120-20895
25	Rivet		130-20927



***SERVICE PARTS,
KITS & ACCESSORIES***



Test Kits, Thermostats & Regulator Fittings

Test Kits

Description	Part Number
Low Pressure Test Kit	550-00764
High Pressure Test Kit	550-00817
Outlet Pressure Air Gauge (Kerosene Heaters)	500-20907
Fuel Pressure Gauge (Kerosene Heaters)	500-20914
Tester for Flame Out Control & Photocell (Kerosene Heaters)	500-20913

Thermostats

Description	Part Number
Remote Thermostat w/ Stainless Steel Cover - Less Wiring	500-06537
Remote Thermostat w/ Stainless Steel Cover & 20 Ft. Series Tap Cord	500-00831
Remote Thermostat, Nema 4X Dust Tight/Rain Tight, Less Wiring	500-09381
Remote Thermostat, Nema 4X Dust Tight/Rain Tight w/ 20 Ft. Series Tap Cord	500-09454
Thermostat Kit for 324, 328 & 334 Circulating Heaters	500-00015
Thermostat Kit for 336 Circulating Heaters	500-00019

Regulator Fittings

Description	Part Number
P.O.L. Nut & Stem w/ Soft Nose - Excess Flow Valve x 1/4 NPT	130-01248
P.O.L. Nose, Full Flow (without excess flow valve) x 1/4 NPT	130-01251
P.O.L. Nut & Stem w/ Soft Nose - Excess Flow Valve x 9/16 - 18 LHT	130-05170
O-Ring for Soft Nose P.O.L.	130-09170

Hose Couplings & Miscellaneous Kits

Hose Couplings

Description	Part Number
Coupling, Hose (9/16 - 18 LHT)	310-01096
Coupling, Hose (1/2 NPS x 1/2 NPS)	310-04625

Miscellaneous Kits

Description	Part Number
Ignitor Upgrade Kit (For Model 304C, 304D & CP380 Heaters)	500-20312
Air Distribution Ducting-Black (For Model CT080, CT170, CS080, CS170, TS080 & TS170 Heaters)	500-08978
Adapter, Duct 12 in. (Replacement) for Duct Kit 500-08978	400-08979
Storage Sack (Stores Ducting)	130-21944



WARRANTY GUIDELINES



EQUIPMENT

L.B. White Co., Inc. warrants that the component parts of its heater are free from defects in material and workmanship, when properly installed, operated, and maintained in accordance with the Installation and Maintenance Instructions, safety guides and labels contained with each unit. If, **within 12 months from the date of purchase by the end user**, any component is found to be defective, L.B. White Co., Inc. will at its option, repair or replace the defective part

or heater, with a new part or heater, F.O.B., Onalaska, Wisconsin.

A warranty card on file at L.B. White will automatically qualify a unit and its component parts for warranty consideration. If a warranty card is not on file, a copy of the bill of sale will be required to establish warranty qualification. If neither is available, the warranty period will be 12 months from date of shipment from L B. White.

PARTS

L.B. White Co., Inc. warrants that replacement parts purchased from the company and used on the appropriate L.B. White heaters are free from defects both in material and workmanship for **12 months from the date of purchase by the end user**. Warranty is automatic if a component is found defective within 12 months of the date code marked on the part. If the defect occurs more than 12 months later than the date code but within 12 months from the date of purchase by the end user, a copy of a bill of sale will be required to establish warranty qualification.

duration to the duration of the applicable warranty stated above. The remedies set forth above are the sole and exclusive remedies available hereunder. L.B. White will not be liable for any incidental or consequential damages directly or indirectly related to the sale, handling or use of the heater, and in any event L.B. White's liability in connection with the heater, including for claims based on negligence or strict liability, is limited to the purchase price.

The warranty set forth above is the exclusive warranty provided by L.B. White, and all other warranties, including any implied warranties or merchantability or fitness for a particular purpose, are expressly disclaimed. In the event any implied warranty is not hereby effectively disclaimed due to operation of law, such implied warranty is limited in

Some states do not allow limitations on how long an implied warranty lasts, so the above limitation may not apply to you. Some states do not allow the exclusion or limitation of incidental or consequential damages, so the above limitation or exclusion may not apply to you. This warranty gives you specific legal rights, and you may also have other rights which vary from state to state.

REPLACEMENT PARTS AND SERVICE

Contact your local L.B. White dealer for replacement parts and service or call the L.B. White Co., Inc. at 1-800-345-7200 for assistance. Be sure that you have your

heater model number and configuration number when calling.

Warranty Returns

Warranty Returns

To complement L.B. White's warranty, the following has been written to simplify the warranty return policy. Our goal is to process warranty returns and issue the appropriate credit to you as promptly as possible. Your cooperation in following the procedures listed below will help us achieve our goal.

1. Units and Sub-Assemblies

A. Defective heaters and sub-assemblies may be returned to L.B. White by authorized L. B. White service dealers by obtaining factory approval and a Return Authorization Number prior to any return shipment. The following information must be supplied when requesting a Return Authorization Number:

1. Complete heater model and serial number
2. Customer's name and address
3. Date sold
4. Date installed
5. Date failed
6. Probable cause of equipment failure

B. The Return Authorization Number must be shown on all transmitting paperwork and marked on the outside of the merchandise return carton. A warranty card on file at L.B. White will automatically qualify the unit, sub-assembly, or component for a 12-month warranty from date of purchase if the material being returned is found defective. Items must be returned freight PREPAID.

2. Parts

Authorized L.B. White service dealers can return defective service parts, qualified for warranty under the L.B. White Warranty Policy, as follows:

- A. By using L.B. White Material Return Tags. Prior factory approval is not required in this case. A Material Return Tag must be filled out completely and attached to each defective part being returned. Material Return Tags are available from L. B. White upon request.
- B. By using the Return Authorization Number procedure described in A. above.

All items must be returned freight PREPAID. Out of warranty parts require factory approval and a Return Authorization Number prior to being returned.

3. Credit

Credit will be issued if inspection indicates:

- A. The item is defective
- B. The item is within the warranty period
- C. Failure is due to normal use

L.B. White is not responsible for the labor cost of removal of a defective product or part, or damages due to removal, or expenses incurred in shipping the product or part to or from L.B. White's plant, or the installation of the repaired or replaced product or part.

Return of New Items for Credit

1. Factory Approval

Factory approval and a Return Authorization Number must be obtained **before** any new product or part is returned to L. B. White or credit may not be issued.

2. Freight

All items returned for credit must be shipped freight prepaid.

3. Restocking Charge

A 15% restocking charge will apply provided the item is new and in unused condition. Additional charges will be made if reconditioning or new packaging is required.

4. Item Shipped Incorrectly

If the item was shipped in error, L.B. White will authorize shipping freight collect and rescind the 15% restocking charge if Step 1 above is followed.

5. Materials Return Tag

All parts returned to L.B. White must be accompanied by a Materials Return Tag with the Return Authorization Number. A separate tag is required for each part.

Shipping Damage

1. Parcel Post

All Parcel Post claims for damages or shortages must be made to L.B. White within 20 days of date of shipment.

2. Truck or United Parcel Service

Damage claims should be made by the customer directly to the carrier or UPS.